

# FAIRWINDS MANUFACTURING *DRAGLINE*

We make the parts  
that connect the  
bucket to the  
dragline machine.

*Click on an item to navigate to the  
corresponding page.*

## **DRAGLINE REPLACEMENT PARTS**

- PARTS IDENTIFICATION
- CURRENT INVENTORY

## **BUCKET SIZING**

## **DUMP BLOCK**

- SIZE 8" - 16"
- SIZE 20" - 26"
- DUMP BLOCK HOUSING BOLTS



**FairWinds**  
Manufacturing, Inc.



**Contact Us:**

**724-662-5210**

**<https://fairwindsmfg.com/hendrix-replacement-parts/>**

# DRAGLINE REPLACEMENT PARTS

## PART IDENTIFICATION

HOME



CHOOSING BUCKET SIZE MADE EASY – JUST CLICK!

### 1/4 - 14 YARD BUCKETS

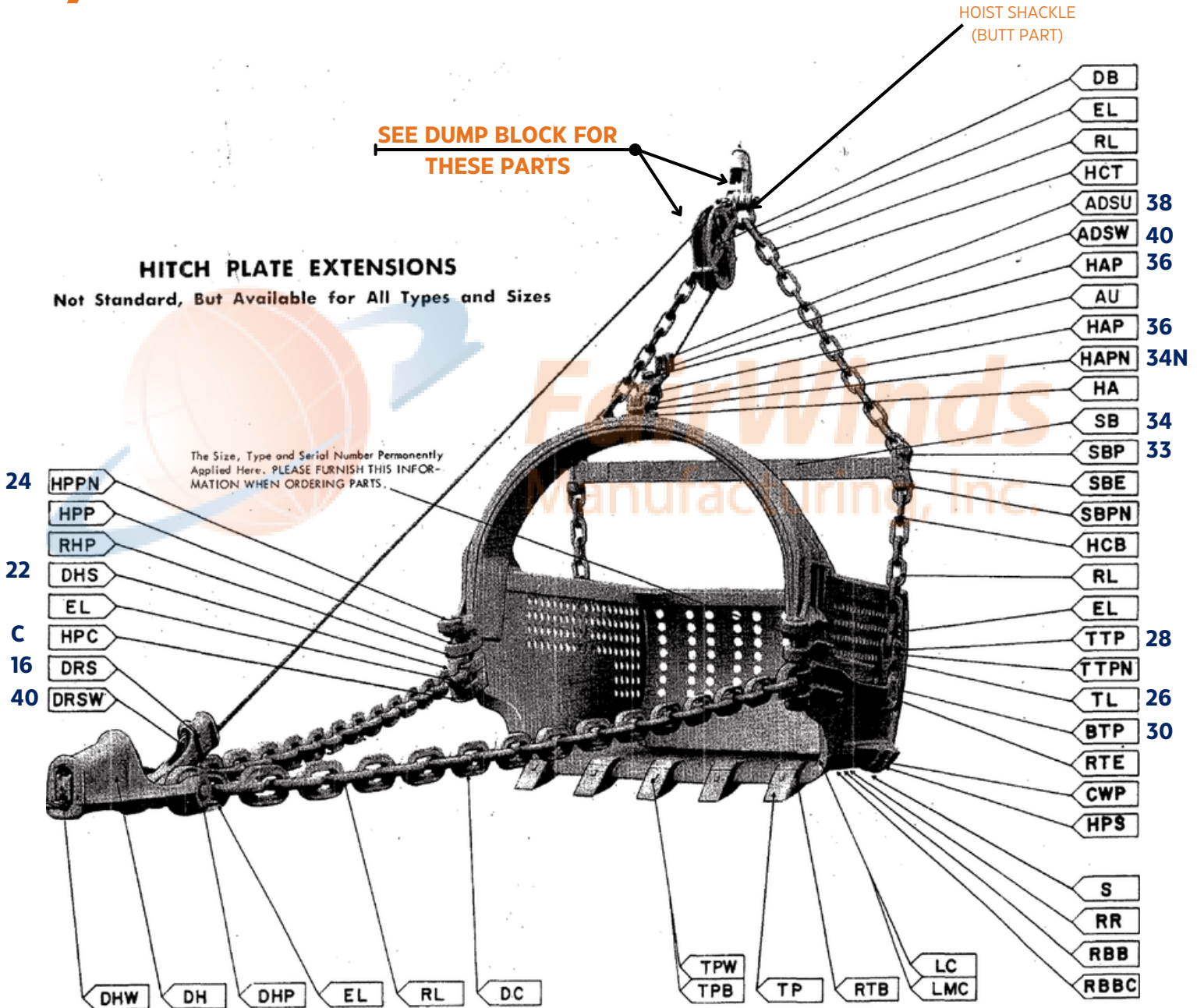
SEE DUMP BLOCK FOR THESE PARTS

HOIST SHACKLE (BUTT PART)

#### HITCH PLATE EXTENSIONS

Not Standard, But Available for All Types and Sizes

The Size, Type and Serial Number Permanently Applied Here. PLEASE FURNISH THIS INFORMATION WHEN ORDERING PARTS.



\*\*NUMBERS IN BLUE ARE FAIRWINDS MANUFACTURING NUMBERS



724-662-5210



<https://fairwindsmfg.com/hendrix-replacement-parts/>

# 5 TYPES OF BUCKETS

## IDENTIFICATION

HOME



“LS”

A lighter weight bucket designed for levee and drainage work. Light in weight, yet rugged in construction.

“TS”

Classified as a general purpose bucket. Unexcelled for medium-duty service.

“HS”

A heavy duty bucket for moving shale and other similar formations.

“MH”

The heavy-duty mining Hendrix, incorporating three-way taper in the basket and developed especially for coal stripping and similar operations.

SPECIAL  
“MH”  
NARROW

With all of the features of the MH, but with narrow width and sand and gravel basket, especially designed to produce greater loads in under-water aggregate production.

**IT IS ALWAYS IMPORTANT TO GIVE SIZE, TYPE AND SERIAL NUMBERS WHEN ORDERING PARTS.**



724-662-5210



<https://fairwindsmfg.com/hendrix-replacement-parts/>

# 1/4 - 14 YARD BUCKET SIZE

[HOME](#)



**CLICK ON BUCKET SIZE TO SEE PART NUMBERS**

- 1/4 YARD BUCKET
- 3/8 YARD BUCKET
- 1/2 YARD BUCKET
- 5/8 YARD BUCKET
- 3/4 YARD BUCKET
- 7/8 YARD BUCKET
- 1 YARD BUCKET
- 1 1/4 YARD BUCKET
- 1 1/2 YARD BUCKET
- 1 3/4 YARD BUCKET
- 2 YARD BUCKET
- 2 1/4 YARD BUCKET
- 2 1/2 YARD BUCKET
- 2 3/4 YARD BUCKET
- 3 YARD BUCKET
- 3 1/4 YARD BUCKET
- 3 1/2 YARD BUCKET
- 3 3/4 YARD BUCKET
- 4 YARD BUCKET
- 4 1/2 YARD BUCKET
- 5 YARD BUCKET
- 5 1/2 YARD BUCKET
- 6 YARD BUCKET
- 6 1/2 YARD BUCKET
- 7 YARD BUCKET
- 7 1/2 YARD BUCKET
- 8 - 8 1/2 YARD BUCKET
- 9 - 9 1/2 YARD BUCKET
- 10 - 11 YARD BUCKET
- 12 - 13 YARD BUCKET
- 14 YARD BUCKET

*Fall Winds  
Manufacturing, Inc.*

# 1/4 YARD BUCKET

## BUCKET SIZE

[HOME](#)


PART	SYM	NO. REQ.	TYPE "LS"	TYPE "TS"	TYPE "HS"
			PART NUMBER	PART NUMBER	PART NUMBER
TOOTH POINT W/ KEEPER	TP	3	A42	A4	A4
TOOTH POINT BOLT ONLY	TPB	3		A458	A458
TOOTH POINT WEDGE ONLY	TPW	3	#2		
DRAG CHAIN	DC	2	34D16	34D16	78D16
REPAIR LINK FOR DRAG CHAIN	RL		34RL	34RL	78RL
END LINK FOR DRAG CHAIN	EL		34EL	34EL	78EL
HOIST CHAIN - TOP SECTION	HCT	2	34T5	34T5	34T5
HOIST CHAIN - BOTTOM SECTION	HCB	2	34B3	34B3	34B3
REPAIR LINK FOR HOIST CHAIN	RL		34RL	34RL	34RL
END LINK FOR HOIST CHAIN	EL		34EL	34EL	34EL
3-WAY DRAG HITCH COMPLETE	DH	1	10	10	10
3-WAY DRAG HITCH WEDGE ONLY	DHW	1	12	12	12
3-WAY DRAG HITCH PIN ONLY	DHP	1	14	14	14
DUMP ROPE SOCKET W/ WEDGE	DRS	1	16	16	16
DUMP ROPE SOCKET WEDGE ONLY	DRSW	1	40	40	40
LIP-ALLOY STEEL W/TOOTH BASES AND TOOTH POINTS	LC	1	W14L34C		

# 1/4 YARD BUCKET CONT.

## BUCKET SIZE

[HOME](#)


		NO. REQ	TYPE "LS"	TYPE "TS"	TYPE "HS"
LIP MANGANSES STEEL W/ TOOTH BASES AND TOOTH POINTS	LMC	1		14TH-LM	14TH-LM
REPLACEMENT TOOTH BASE	RTB		A62	58RTB	58RTB
REPLACEMENT HITCH PLATE END ONLY	RHP		58RHP	58RHP	58RHP
REPLACEMENT TRUNION END ONLY	RTE		58RTE	58RTE	58RTE
DRAG HITCH SHACKLE	DHS	2	22	22	22
HITCH PLATE PIN W/ NUT - THREADED	HPP	2	24	24	24
HITCH PLATE PIN NUT ONLY	HPPN		1SN	1SN	1SN
HITCH PLATE PROTECTOR CUP	HPC	2	C-58	C-58	C-58
HITCH PLATE EXTENSION W/ PIN AND NUT	HPE	2	2HPE	2HPE	2HPE
HITCH PLATE EXTENSION CASTING ONLY	E		2E	2E	2E
HITCH PLATE EXTENSION PIN AND NUT ONLY	HPEP		2P	2P	2P
HITCH PLATE EXTENSION PIN NUT ONLY	HPEN		1SN	1SN	1SN
TRUNION LINK COMPLETE W/ PINS	TL	2	26N	26N	26N
TRUNION LINK PIN W/ NUT-TOP - THREADED	TTP	2	28N	28N	28N
TRUNION LINK PIN NUT ONLY	TTPN		1SN	1SN	1SN
TRUNION LINK PIN - BOTTOM	BTP		30	30	30
SPREADER BAR COMPLETE W/ PINS	SB	1	14Y32L	14Y32T	14Y32H
SPREADER BAR PIN W/ NUT - THREADED	SBP	4	34118N	34118N	34118N

# 1/4 YARD BUCKET CONT.

## BUCKET SIZE

[HOME](#)


			TYPE "LS"	TYPE "TS"	TYPE "HS"
SPREADER BAR PIN NUT ONLY	SBPN		118SN	118SN	118SN
SPREADER BAR END CASTING	SBE	2	33118N	33118N	33118N
HOOD ANGLE	HA	1	34N	34N	34N
HOOD ANGLE PIN W/ NUT - THREADED	HAP	1	36N	36N	36N
HOOD ANGLE PIN NUT ONLY	HAPN		1SN	1SN	1SN
ARCH DUMP SOCKET W/ WEDGE	ADS	1	38	38	38
ARCH DUMP SOCKET WEDGE ONLY	ADSW	1	40	40	40
REPLACEMENT BUCKET BOTTOM COMPLETE - With bottom runners, corner wear plates, bottom runner shoes and corner wear plate shoes welded on as these items are applicable to the type covered. ALL BOTTOMS SHIPPED COMPLETE UNLESS OTHERWISE SPECIFIED.	RBBC	1	14BC-L	14BC-T	14BC-H
REPLACEMENT BUCKET BOTTOM ONLY	RBB	1	14B-L	14B-T	14B-H
REPLACEMENT BOTTOM RUNNER	RR	3	38RR-L	58HSR	58HSR
REPLACEMENT BOTTOM RUNNER SHOE	S	3			58S
REPLACEMENT STUB RUNNER	SR	2		12SR	12SR
CORNER WEAR PLATE	CWP	2	58CWP-L	58HP	58HP
CORNER WEAR PLATE SHOE	HPS	2			58HPS
DUMP BLOCK COMPLETE	DB	1	8DB	8DB	8DB

# 3/8 YARD BUCKET

## BUCKET SIZE

[HOME](#)


PART	SYMBOL	NO. REQ.	TYPE "LS"	TYPE "TS"	TYPE "HS"
			PART NUMBER	PART NUMBER	PART NUMBER
TOOTH POINT W/ KEEPER	TP	3	A42	A4	A4
TOOTH POINT BOLT ONLY	TPB	3		A458	A458
TOOTH POINT WEDGE ONLY	TPW	3	#2		
DRAG CHAIN	DC	2	34D18	34D18	78D18
REPAIR LINK FOR DRAG CHAIN	RL		34RL	34RL	78RL
END LINK FOR DRAG CHAIN	EL		34EL	34EL	78EL
HOIST CHAIN - TOP SECTION	HCT	2	34T5	34T5	34T5
HOIST CHAIN - BOTTOM SECTION	HCB	2	34B3	34B3	34B3
REPAIR LINK FOR HOIST CHAIN	RL		34RL	34RL	34RL
END LINK FOR HOIST CHAIN	EL		34EL	34EL	34EL
3-WAY DRAG HITCH COMPLETE	DH	1	10	10	10
3-WAY DRAG HITCH WEDGE ONLY	DHW	1	12	12	12
3-WAY DRAG HITCH PIN ONLY	DHP	1	14	14	14
DUMP ROPE SOCKET W/ WEDGE	DRS	1	16	16	16
DUMP ROPE SOCKET WEDGE ONLY	DRSW	1	40	40	40
LIP-ALLOY STEEL W/TOOTH BASES AND TOOTH POINTS	LC	1	W38L34C		



# 3/8 YARD BUCKET CONT.

## BUCKET SIZE

[HOME](#)


			TYPE "LS"	TYPE "TS"	TYPE "HS"
LIP MANGANSES STEEL W/ TOOTH BASES AND TOOTH POINTS	LMC	1		38T-LM	38H-LM
REPLACEMENT TOOTH BASE	RTB		A62	58RTB	58RTB
REPLACEMENT HITCH PLATE END ONLY	RHP		58RHP	58RHP	58RHP
REPLACEMENT TRUNION END ONLY	RTE		58RTE	58RTE	58RTE
DRAG HITCH SHACKLE	DHS	2	22	22	22
HITCH PLATE PIN W/ NUT - THREADED	HPP	2	24	24	24
HITCH PLATE PIN NUT ONLY	HPPN		1SN	1SN	1SN
HITCH PLATE PROTECTOR CUP	HPC	2	C-58	C-58	C-58
HITCH PLATE EXTENSION W/ PIN AND NUT	HPE	2	2HPE	2HPE	2HPE
HITCH PLATE EXTENSION CASTING ONLY	E		2E	2E	2E
HITCH PLATE EXTENSION PIN AND NUT ONLY	HPEP		2P	2P	2P
HITCH PLATE EXTENSION PIN NUT ONLY	HPEN		1SN	1SN	1SN
TRUNION LINK COMPLETE W/ PINS	TL	2	26N	26N	26N
TRUNION LINK PIN W/ NUT-TOP - THREADED	TTP	2	28N	28N	28N
TRUNION LINK PIN NUT ONLY	TTPN		1SN	1SN	1SN
TRUNION LINK PIN - BOTTOM	BTP	2	30	30	30
SPREADER BAR COMPLETE W/ PINS	SB	1	3832L	3832T	3832H
SPREADER BAR PIN W/ NUT - THREADED	SBP	4	34118N	34118N	34118N

# 3/8 YARD BUCKET CONT

## BUCKET SIZE

[HOME](#)


			TYPE "LS"	TYPE "TS"	TYPE "HS"
SPREADER BAR PIN W/ NUT - THREADED	SBP	4	34118N	34118N	34118N
SPREADER BAR PIN NUT ONLY	SBPN		118SN	118SN	118SN
SPREADER BAR END CASTING	SBE	2	33118N	33118N	33118N
HOOD ANGLE	HA	1	34N	34N	34N
HOOD ANGLE PIN W/ NUT - THREADED	HAP	1	36N	36N	36N
HOOD ANGLE PIN NUT ONLY	HAPN		1SN	1SN	1SN
ARCH DUMP SOCKET W/ WEDGE	ADS	1	38	38	38
ARCH DUMP SOCKET WEDGE ONLY	ADSW	1	40	40	40
REPLACEMENT BUCKET BOTTOM COMPLETE	RBBC	1	38BC-L	38BC-T	38BC-H
REPLACEMENT BUCKET BOTTOM ONLY	RBB	1	38B-L	38B-T	38B-H
REPLACEMENT BOTTOM RUNNER	RR	3	38RR-L	58HSR	58HSR
REPLACEMENT BOTTOM RUNNER SHOE	S	3			58S
REPLACEMENT STUB RUNNER	SR	2		12SR	12SR
CORNER WEAR PLATE	CWP	2	58CWP-L	58HP	58HP
CORNER WEAR PLATE SHOE	HPS				58HPS
DUMP BLOCK COMPLETE	DB	1	8DB	8DB	8DB

# 1/2 YARD BUCKET

## BUCKET SIZE

[HOME](#)


PART	SYMBOL	NO. REQ.	TYPE "LS"	TYPE "TS"	TYPE "HS"
			PART NUMBER	PART NUMBER	PART NUMBER
TOOTH POINT W/ KEEPER	TP		A42 (3)	A4 (4)	A4 (4)
TOOTH POINT BOLT ONLY	TPB			A458 (4)	A458 (4)
TOOTH POINT WEDGE ONLY	TPW		#2 (3)		
DRAG CHAIN	DC	2	34D18	34D18	78D18
REPAIR LINK FOR DRAG CHAIN	RL		34RL	34RL	78RL
END LINK FOR DRAG CHAIN	EL		34EL	34EL	78EL
HOIST CHAIN - TOP SECTION	HCT	2	34T7	34T7	34T7
HOIST CHAIN - BOTTOM SECTION	HCB	2	34B5	34B5	34B5
REPAIR LINK FOR HOIST CHAIN	RL		34RL	34RL	34RL
END LINK FOR HOIST CHAIN	EL		34EL	34EL	34EL
3-WAY DRAG HITCH COMPLETE	DH	1	10	10	10
3-WAY DRAG HITCH WEDGE ONLY	DHW	1	12	12	12
3-WAY DRAG HITCH PIN ONLY	DHP	1	14	14	14
DUMP ROPE SOCKET W/ WEDGE	DRS	1	16	16	16
DUMP ROPE SOCKET WEDGE ONLY	DRSW	1	40	40	40
LIP-ALLOY STEEL W/TOOTH BASES AND TOOTH POINTS	LC	1	W12L78C		

# 1/2 YARD BUCKET CONT

## BUCKET SIZE

[HOME](#)


			TYPE "LS"	TYPE "TS"	TYPE "HS"
LIP MANGANSES STEEL W/ TOOTH BASES AND TOOTH POINTS	LMC	1		12T-LM	12H-LM
REPLACEMENT TOOTH BASE	RTB		A62	58RTB	58RTB
REPLACEMENT HITCH PLATE END ONLY	RHP		58RHP	58RHP	58RHP
REPLACEMENT TRUNION END ONLY	RTE		58RTE	58RTE	58RTE
DRAG HITCH SHACKLE	DHS	2	22	22	22
HITCH PLATE PIN W/ NUT - THREADED	HPP	2	24	24	24
HITCH PLATE PIN NUT ONLY	HPPN		1SN	1SN	1SN
HITCH PLATE PROTECTOR CUP	HPC	2	C-58	C-58	C-58
HITCH PLATE EXTENSION W/ PIN AND NUT	HPE	2	2HPE	2HPE	2HPE
HITCH PLATE EXTENSION CASTING ONLY	E		2E	2E	2E
HITCH PLATE EXTENSION PIN AND NUT ONLY	HPEP		2P	2P	2P
HITCH PLATE EXTENSION PIN NUT ONLY	HPEN		1SN	1SN	1SN
TRUNION LINK COMPLETE W/ PINS	TL	2	26N	26N	26N
TRUNION LINK PIN W/ NUT-TOP - THREADED	TTP	2	28N	28N	28N
TRUNION LINK PIN NUT ONLY	TTPN		1SN	1SN	1SN
TRUNION LINK PIN - BOTTOM	BTP	2	30	30	30
SPREADER BAR COMPLETE W/ PINS	SB	1	1232L	1232T	1232H
SPREADER BAR PIN W/ NUT - THREADED	SBP	4	34118N	34118N	34118N
SPREADER BAR PIN NUT ONLY	SBPN		118SN	118SN	118SN

# 1/2 YARD BUCKET CONT

## BUCKET SIZE

[HOME](#)


			TYPE "LS"	TYPE "TS"	TYPE "HS"
SPREADER BAR END CASTING	SBE	2	33118N	33118N	33118N
HOOD ANGLE	HA	1	34N	34N	34N
HOOD ANGLE PIN W/ NUT - THREADED	HAP	1	36N	36N	36N
HOOD ANGLE PIN NUT ONLY	HAPN		1SN	1SN	1SN
ARCH DUMP SOCKET W/ WEDGE	ADS	1	38	38	38
ARCH DUMP SOCKET WEDGE ONLY	ADSW	1	40	40	40
REPLACEMENT BUCKET BOTTOM COMPLETE - With bottom runners, corner wear plates, bottom runner shoes and corner wear plate shoes welded on as these items are applicable to the type covered. ALL BOTTOMS SHIPPED COMPLETE UNLESS OTHERWISE SPECIFIED.	RBBC	1	12BC-L	12BC-T	12BC-H
REPLACEMENT BUCKET BOTTOM ONLY	RBB	1	12B-L	12B-T	12B-H
REPLACEMENT BOTTOM RUNNER	RR		12RR-L (3)	12HSR (3)	58HSR (4)
REPLACEMENT BOTTOM RUNNER SHOE	S				58S (4)
REPLACEMENT STUB RUNNER	SR			12SR (4)	12SR (3)
CORNER WEAR PLATE	CWP	2	58CWP-L	58HP	58HP
CORNER WEAR PLATE SHOE	HPS	2			58HPS
DUMP BLOCK COMPLETE	DB	1	8DB	8DB	8DB

FairWinds  
Manufacturing, Inc.

# 5/8 YARD BUCKET

## BUCKET SIZE

[HOME](#)


PART	SYMBOL	NO. REQ.	TYPE "LS" PART NUMBER	TYPE "TS" PART NUMBER	TYPE "HS" PART NUMBER
TOOTH POINT W/ KEEPER	TP	4	A42	A4	A4
TOOTH POINT BOLT ONLY	TPB	4		A458	A458
TOOTH POINT WEDGE ONLY	TPW	4	#2		
DRAG CHAIN	DC	2	34D20	34D20	34D20
REPAIR LINK FOR DRAG CHAIN	RL		34RL	34RL	78RL
END LINK FOR DRAG CHAIN	EL		34EL	34EL	78EL
HOIST CHAIN - TOP SECTION	HCT	2	34T7	34T7	34T7
HOIST CHAIN - BOTTOM SECTION	HCB	2	34B5	34B5	34B5
REPAIR LINK FOR HOIST CHAIN	RL		34RL	34RL	34RL
END LINK FOR HOIST CHAIN	EL		34EL	34EL	34EL
3-WAY DRAG HITCH COMPLETE	DH	1	10	10	10
3-WAY DRAG HITCH WEDGE ONLY	DHW	1	12	12	12
3-WAY DRAG HITCH PIN ONLY	DHP	1	14	14	14
DUMP ROPE SOCKET W/ WEDGE	DRS	1	16	16	16
DUMP ROPE SOCKET WEDGE ONLY	DRSW	1	40	40	40
LIP-ALLOY STEEL W/TOOTH BASES AND TOOTH POINTS	LC	1	58T-LM		
LIP MANGANSES STEEL W/ TOOTH BASES AND TOOTH POINTS	LMC	1		58T-LM	58H-LM

# 5/8 YARD BUCKET CONT

## BUCKET SIZE

[HOME](#)


			TYPE "LS"	TYPE "TS"	TYPE "HS"
REPLACEMENT TOOTH BASE	RTB		A62	58RTB	58RTB
REPLACEMENT HITCH PLATE END ONLY	RHP		58RHP	58RHP	58RHP
REPLACEMENT TRUNION END ONLY	RTE		58RTE	58RTE	58RTE
DRAG HITCH SHACKLE	DHS	2	22	22	22
HITCH PLATE PIN W/ NUT - THREADED	HPP	2	24	24	24
HITCH PLATE PIN NUT ONLY	HPPN		1SN	1SN	1SN
HITCH PLATE PROTECTOR CUP	HPC	2	C-58	C-58	C-58
HITCH PLATE EXTENSION W/ PIN AND NUT	HPE	2	2HPE	2HPE	2HPE
HITCH PLATE EXTENSION CASTING ONLY	E		2E	2E	2E
HITCH PLATE EXTENSION PIN AND NUT ONLY	HPEP		2P	2P	2P
HITCH PLATE EXTENSION PIN NUT ONLY	HPEN		1SN	1SN	1SN
TRUNION LINK COMPLETE W/ PINS	TL	2	26N	26N	26N
TRUNION LINK PIN W/ NUT-TOP - THREADED	TTP	2	28N	28N	28N
TRUNION LINK PIN NUT ONLY	TTPN		1SN	1SN	1SN
TRUNION LINK PIN - BOTTOM	BTP	2	30	30	30
SPREADER BAR COMPLETE W/ PINS	SB	1	5832L	5832T	5832H
SPREADER BAR PIN W/ NUT - THREADED	SBP	4	34118N	34118N	34118N
SPREADER BAR PIN NUT ONLY	SBPN		118SN	118SN	118SN

# 5/8 YARD BUCKET CONT

## BUCKET SIZE

[HOME](#)


			TYPE "LS"	TYPE "TS"	TYPE "HS"
SPREADER BAR END CASTING	SBE	2	33118N	33118N	33118N
HOOD ANGLE	HA	1	34N	34N	34N
HOOD ANGLE PIN W/ NUT - THREADED	HAP	1	36N	36N	36N
HOOD ANGLE PIN NUT ONLY	HAPN		1SN	1SN	1SN
ARCH DUMP SOCKET W/ WEDGE	ADS	1	38	38	38
ARCH DUMP SOCKET WEDGE ONLY	ADSW	1	40	40	40
REPLACEMENT BUCKET BOTTOM COMPLETE - With bottom runners, corner wear plates, bottom runner shoes and corner wear plate shoes welded on as these items are applicable to the type covered. ALL BOTTOMS SHIPPED COMPLETE UNLESS OTHERWISE SPECIFIED.	RBBC	1	58BC-L	58BC-T	58BC-H
REPLACEMENT BUCKET BOTTOM ONLY	RBB	1	58B-L	58B-T	58B-H
REPLACEMENT BOTTOM RUNNER	RR	4	58RR-L	58HSR	58HSR
REPLACEMENT BOTTOM RUNNER SHOE	S	4			58S
REPLACEMENT STUB RUNNER	SR	3		34SR	34SR
CORNER WEAR PLATE	CWP	2	58CWP-L	58HP	58HP
CORNER WEAR PLATE SHOE	HPS	2			58HPS
DUMP BLOCK COMPLETE	DB	1	8DB	8DB	8DB



# 3/4 YARD BUCKET

## BUCKET SIZE

[HOME](#)


PART	SYMBOL	NO. REQ.	TYPE "LS"	TYPE "TS"	TYPE "HS"
			PART NUMBER	PART NUMBER	PART NUMBER
TOOTH POINT W/ KEEPER	TP	4	A142	A104	A104
TOOTH POINT BOLT ONLY	TPB	4		A458	A458
TOOTH POINT WEDGE ONLY	TPW	4	#2		
DRAG CHAIN	DC	2	78D20	78D20	1D20
REPAIR LINK FOR DRAG CHAIN	RL		78RL	78RL	1RL
END LINK FOR DRAG CHAIN	EL		78EL	78EL	1EL
HOIST CHAIN - TOP SECTION	HCT	2	34T9	34T9	34T9
HOIST CHAIN - BOTTOM SECTION	HCB	2	34B5	34B5	34B5
REPAIR LINK FOR HOIST CHAIN	RL		34RL	34RL	34RL
END LINK FOR HOIST CHAIN	EL		34EL	34EL	34EL
3-WAY DRAG HITCH COMPLETE	DH	1	110	110	110
3-WAY DRAG HITCH WEDGE ONLY	DHW	1	112	112	112
3-WAY DRAG HITCH PIN ONLY	DHP	1	114	114	114
DUMP ROPE SOCKET W/ WEDGE	DRS	1	116	116	116
DUMP ROPE SOCKET WEDGE ONLY	DRSW	1	140	140	140
LIP-ALLOY STEEL W/TOOTH BASES AND TOOTH POINTS	LC	1	W34LIC		
LIP MANGANSES STEEL W/ TOOTH BASES AND TOOTH POINTS	LMC	1		34T-LM	34H-LM

# 3/4 YARD BUCKET CONT

## BUCKET SIZE

[HOME](#)


			TYPE "LS"	TYPE "TS"	TYPE "HS"
REPLACEMENT TOOTH BASE	RTB		A162	34RTB-T	34RTB-H
REPLACEMENT HITCH PLATE END ONLY	RHP		34RHP	34RHP	34RHP
REPLACEMENT TRUNION END ONLY	RTE		34RTE	34RTE	34RTE
DRAG HITCH SHACKLE	DHS	2	122	122	122
HITCH PLATE PIN W/ NUT - THREADED	HPP	2	124	124	124
HITCH PLATE PIN NUT ONLY	HPPN		118SN	118SN	118SN
HITCH PLATE PROTECTOR CUP	HPC	2	C-1	C-1	C-1
HITCH PLATE EXTENSION W/ PIN AND NUT	HPE	2	12HPE	12HPE	12HPE
HITCH PLATE EXTENSION CASTING ONLY	E		12E	12E	12E
HITCH PLATE EXTENSION PIN AND NUT ONLY	HPEP		12P	12P	12P
HITCH PLATE EXTENSION PIN NUT ONLY	HPEN		118SN	118SN	118SN
TRUNION LINK COMPLETE W/ PINS	TL	2	126N	126N	126N
TRUNION LINK PIN W/ NUT-TOP - THREADED	TTP	2	128N	128N	128N
TRUNION LINK PIN NUT ONLY	TTPN		118SN	118SN	118SN
TRUNION LINK PIN - BOTTOM	BTP	2	130	130	130
SPREADER BAR COMPLETE W/ PINS	SB	1	3432L	3432T	3432H
SPREADER BAR PIN W/ NUT - THREADED	SBP	4	34118N	34118N	34118N
SPREADER BAR PIN NUT ONLY	SBPN		118SN	118SN	118SN

# 3/4 YARD BUCKET CONT

## BUCKET SIZE

[HOME](#)


			TYPE "LS"	TYPE "TS"	TYPE "HS"
SPREADER BAR END CASTING	SBE	2	33118N	33118N	33118N
HOOD ANGLE	HA	1	134N	134N	134N
HOOD ANGLE PIN W/ NUT - THREADED	HAP	1	36N	36N	36N
HOOD ANGLE PIN NUT ONLY	HAPN		1SN	1SN	1SN
ARCH DUMP SOCKET W/ WEDGE	ADS	1	138	138	138
ARCH DUMP SOCKET WEDGE ONLY	ADSW	1	140	140	140
REPLACEMENT BUCKET BOTTOM COMPLETE - With bottom runners, corner wear plates, bottom runner shoes and corner wear plate shoes welded on as these items are applicable to the type covered. ALL BOTTOMS SHIPPED COMPLETE UNLESS OTHERWISE SPECIFIED.	RBBC	1	34BC-L	34BC-T	34BC-H
REPLACEMENT BUCKET BOTTOM ONLY	RBB	1	34B-L	34B-T	34B-H
REPLACEMENT BOTTOM RUNNER	RR	4	34RR-L	1HSR	1HSR
REPLACEMENT BOTTOM RUNNER SHOE	S	4			1S
REPLACEMENT STUB RUNNER	SR	3		34SR	34SR
CORNER WEAR PLATE	CWP	2	34CWP-L	1HP	1HP
CORNER WEAR PLATE SHOE	HPS	2			1HPS
DUMP BLOCK COMPLETE	DB	1	9 1/2 DB	9 1/2 DB	9 1/2 DB

# 7/8 YARD BUCKET

## BUCKET SIZE

[HOME](#)


PART	SYMBOL	NO. REQ.	TYPE "LS"	TYPE "TS"	TYPE "HS"
			PART NUMBER	PART NUMBER	PART NUMBER
TOOTH POINT W/ KEEPER	TP	4	A142	A104	A104
TOOTH POINT BOLT ONLY	TPB	4		A458	A458
TOOTH POINT WEDGE ONLY	TPW	4	#2		
DRAG CHAIN	DC	2	78D20	78D20	1D20
REPAIR LINK FOR DRAG CHAIN	RL		78RL	78RL	1RL
END LINK FOR DRAG CHAIN	EL		78EL	78EL	1EL
HOIST CHAIN - TOP SECTION	HCT	2	34T9	34T9	34T9
HOIST CHAIN - BOTTOM SECTION	HCB	2	34B5	34B5	34B5
REPAIR LINK FOR HOIST CHAIN	RL		34RL	34RL	34RL
END LINK FOR HOIST CHAIN	EL		34EL	34EL	34EL
3-WAY DRAG HITCH COMPLETE	DH	1	110	110	110
3-WAY DRAG HITCH WEDGE ONLY	DHW	1	112	112	112
3-WAY DRAG HITCH PIN ONLY	DHP	1	114	114	114
DUMP ROPE SOCKET W/ WEDGE	DRS	1	116	116	116
DUMP ROPE SOCKET WEDGE ONLY	DRSW	1	140	140	140
LIP-ALLOY STEEL W/TOOTH BASES AND TOOTH POINTS	LC	1	W78LIC		
LIP MANGANSES STEEL W/ TOOTH BASES AND TOOTH POINTS	LMC	1		78T-LM	78H-LM

# 7/8 YARD BUCKET CONT

## BUCKET SIZE

[HOME](#)


			TYPE "LS"	TYPE "TS"	TYPE "HS"
REPLACEMENT TOOTH BASE	RTB		A162	34RTB-T	34RTB-H
REPLACEMENT HITCH PLATE END ONLY	RHP		34RHP	34RHP	34RHP
REPLACEMENT TRUNION END ONLY	RTE		34RTE	34RTE	34RTE
DRAG HITCH SHACKLE	DHS	2	122	122	122
HITCH PLATE PIN W/ NUT - THREADED	HPP	2	124	124	124
HITCH PLATE PIN NUT ONLY	HPPN		118SN	118SN	118SN
HITCH PLATE PROTECTOR CUP	HPC	2	C-1	C-1	C-1
HITCH PLATE EXTENSION W/ PIN AND NUT	HPE	2	12HPE	12HPE	12HPE
HITCH PLATE EXTENSION CASTING ONLY	E		12E	12E	12E
HITCH PLATE EXTENSION PIN AND NUT ONLY	HPEP		12P	12P	12P
HITCH PLATE EXTENSION PIN NUT ONLY	HPEN		118SN	118SN	118SN
TRUNION LINK COMPLETE W/ PINS	TL	2	126N	126N	126N
TRUNION LINK PIN W/ NUT-TOP - THREADED	TTP	2	128N	128N	128N
TRUNION LINK PIN NUT ONLY	TTPN		118SN	118SN	118SN
TRUNION LINK PIN - BOTTOM	BTP	2	130	130	130
SPREADER BAR COMPLETE W/ PINS	SB	1	7832L	7832T	7832H
SPREADER BAR PIN W/ NUT - THREADED	SBP	4	34118N	34118N	34118N
SPREADER BAR PIN NUT ONLY	SBPN		118SN	118SN	118SN

# 7/8 YARD BUCKET CONT

## BUCKET SIZE

[HOME](#)


			TYPE "LS"	TYPE "TS"	TYPE "HS"
SPREADER BAR END CASTING	SBE	2	33118N	33118N	33118N
HOOD ANGLE	HA	1	134N	134N	134N
HOOD ANGLE PIN W/ NUT - THREADED	HAP	1	36N	36N	36N
HOOD ANGLE PIN NUT ONLY	HAPN		1SN	1SN	1SN
ARCH DUMP SOCKET W/ WEDGE	ADS	1	138	138	138
ARCH DUMP SOCKET WEDGE ONLY	ADSW	1	140	140	140
REPLACEMENT BUCKET BOTTOM COMPLETE - With bottom runners, corner wear plates, bottom runner shoes and corner wear plate shoes welded on as these items are applicable to the type covered. ALL BOTTOMS SHIPPED COMPLETE UNLESS OTHERWISE SPECIFIED.	RBBC	1	78BC-L	78BC-T	78BC-H
REPLACEMENT BUCKET BOTTOM ONLY	RBB	1	78B-L	78B-T	78B-H
REPLACEMENT BOTTOM RUNNER	RR	4	34RR-L	1HSR	1HSR
REPLACEMENT BOTTOM RUNNER SHOE	S	4			1S
REPLACEMENT STUB RUNNER	SR	3		34SR	34SR
CORNER WEAR PLATE	CWP	2	34CWP-L	1HP	1HP
CORNER WEAR PLATE SHOE	HPS	2			1HPS
DUMP BLOCK COMPLETE	DB	1	9 1/2 DB	9 1/2 DB	9 1/2 DB

# 1 YARD BUCKET

## BUCKET SIZE

[HOME](#)


PART	SYMBOL	NO. REQ.	TYPE "LS"	TYPE "TS"	TYPE "HS"
			PART NUMBER	PART NUMBER	PART NUMBER
TOOTH POINT W/ KEEPER	TP	4	A142	A104	A104
TOOTH POINT BOLT ONLY	TPB	4		A458	A458
TOOTH POINT WEDGE ONLY	TPW	4	#2		
DRAG CHAIN	DC	2	1D20	1D20	118D20
REPAIR LINK FOR DRAG CHAIN	RL		1RL	1RL	118RL
END LINK FOR DRAG CHAIN	EL		1EL	1EL	118EL
HOIST CHAIN - TOP SECTION	HCT	2	34T9	34T9	34T9
HOIST CHAIN - BOTTOM SECTION	HCB	2	34B7	34B7	34B7
REPAIR LINK FOR HOIST CHAIN	RL		34RL	34RL	34RL
END LINK FOR HOIST CHAIN	EL		34EL	34EL	34EL
3-WAY DRAG HITCH COMPLETE	DH	1	110	110	110
3-WAY DRAG HITCH WEDGE ONLY	DHW	1	112	112	112
3-WAY DRAG HITCH PIN ONLY	DHP	1	114	114	114
DUMP ROPE SOCKET W/ WEDGE	DRS	1	116	116	116
DUMP ROPE SOCKET WEDGE ONLY	DRSW	1	140	140	140
LIP-ALLOY STEEL W/TOOTH BASES AND TOOTH POINTS	LC	1	WILIC		
LIP MANGANSES STEEL W/ TOOTH BASES AND TOOTH POINTS	LMC	1		1T-LM	1H-LM

# 1 YARD BUCKET CONT

## BUCKET SIZE

[HOME](#)


			TYPE "LS"	TYPE "TS"	TYPE "HS"
REPLACEMENT TOOTH BASE	RTB		A162	34RTB-T	34RTB-H
REPLACEMENT HITCH PLATE END ONLY	RHP		1RHP	1RHP	1RHP
REPLACEMENT TRUNION END ONLY	RTE		1RTE	1RTE	1RTE
DRAG HITCH SHACKLE	DHS	2	122	122	122
HITCH PLATE PIN W/ NUT - THREADED	HPP	2	124L	124L	124L
HITCH PLATE PIN NUT ONLY	HPPN		118SN	118SN	118SN
HITCH PLATE PROTECTOR CUP	HPC	2	C-1	C-1	C-1
HITCH PLATE EXTENSION W/ PIN AND NUT	HPE	2	12HPE	12HPE	12HPE
HITCH PLATE EXTENSION CASTING ONLY	E		12E	12E	12E
HITCH PLATE EXTENSION PIN AND NUT ONLY	HPEP		12P	12P	12P
HITCH PLATE EXTENSION PIN NUT ONLY	HPEN		118SN	118SN	118SN
TRUNION LINK COMPLETE W/ PINS	TL	2	126N	126N	126N
TRUNION LINK PIN W/ NUT-TOP - THREADED	TTP	2	128N	128N	128N
TRUNION LINK PIN NUT ONLY	TTPN		118SN	118SN	118SN
TRUNION LINK PIN - BOTTOM	BTP	2	130	130	130
SPREADER BAR COMPLETE W/ PINS	SB	1	132L	132T	132H
SPREADER BAR PIN W/ NUT - THREADED	SBP	4	34118N	34118N	34118N
SPREADER BAR PIN NUT ONLY	SBPN		118SN	118SN	118SN



# 1 YARD BUCKET CONT

## BUCKET SIZE

[HOME](#)


			TYPE "LS"	TYPE "TS"	TYPE "HS"
SPREADER BAR END CASTING	SBE	2	33118N	33118N	33118N
HOOD ANGLE	HA	1	234N	234N	234N
HOOD ANGLE PIN W/ NUT - THREADED	HAP	1	236N	236N	236N
HOOD ANGLE PIN NUT ONLY	HAPN		114SN	114SN	114SN
ARCH DUMP SOCKET W/ WEDGE	ADS	1	238	238	238
ARCH DUMP SOCKET WEDGE ONLY	ADSW	1	240W	240W	240W
REPLACEMENT BUCKET BOTTOM COMPLETE - With bottom runners, corner wear plates, bottom runner shoes and corner wear plate shoes welded on as these items are applicable to the type covered. ALL BOTTOMS SHIPPED COMPLETE UNLESS OTHERWISE SPECIFIED.	RBBC	1	1BC-L	1BC-T	1BC-H
REPLACEMENT BUCKET BOTTOM ONLY	RBB	1	1B-L	1B-T	1B-H
REPLACEMENT BOTTOM RUNNER	RR	4	1RR-S	1HSR	1HSR
REPLACEMENT BOTTOM RUNNER SHOE	S	4			1S
REPLACEMENT STUB RUNNER	SR	3		1SR	1SR
CORNER WEAR PLATE	CWP	2	34CWP-S	1HP	1HP
CORNER WEAR PLATE SHOE	HPS	2			1HPS
DUMP BLOCK COMPLETE	DB	1	9 1/2 DB	9 1/2 DB	9 1/2 DB

# 1 1/4 YARD BUCKET

## BUCKET SIZE

[HOME](#)


PART	SYMBOL	NO. REQ.	TYPE "LS"	TYPE "TS"	TYPE "HS"
			PART NUMBER	PART NUMBER	PART NUMBER
TOOTH POINT W/ KEEPER	TP	4	A142	A104	A104
TOOTH POINT BOLT ONLY	TPB	4		A458	A458
TOOTH POINT WEDGE ONLY	TPW	4	#2		
DRAG CHAIN	DC	2	1D20	1D20	118D20
REPAIR LINK FOR DRAG CHAIN	RL		1RL	1RL	118RL
END LINK FOR DRAG CHAIN	EL		1EL	1EL	118EL
HOIST CHAIN - TOP SECTION	HCT	2	78T9	78T9	78T9
HOIST CHAIN - BOTTOM SECTION	HCB	2	78B7	78B7	78B7
REPAIR LINK FOR HOIST CHAIN	RL		78RL	78RL	78RL
END LINK FOR HOIST CHAIN	EL		78EL	78EL	78EL
3-WAY DRAG HITCH COMPLETE	DH	1	110	110	110
3-WAY DRAG HITCH WEDGE ONLY	DHW	1	112	112	112
3-WAY DRAG HITCH PIN ONLY	DHP	1	114	114	114
DUMP ROPE SOCKET W/ WEDGE	DRS	1	116	116	116
DUMP ROPE SOCKET WEDGE ONLY	DRSW	1	140	140	140
LIP-ALLOY STEEL W/TOOTH BASES AND TOOTH POINTS	LC	1	W114LC		

# 1 1/4 YARD BUCKET CONT

## BUCKET SIZE

[HOME](#)


			TYPE "LS"	TYPE "TS"	TYPE "HS"
LIP MANGANES STEEL W/ TOOTH BASES AND TOOTH POINTS	LMC	1		114T-LM	114H-LM
REPLACEMENT TOOTH BASE	RTB		A162	34RTB-T	34RTB-H
REPLACEMENT HITCH PLATE END ONLY	RHP		1RHP	1RHP	1RHP
REPLACEMENT TRUNION END ONLY	RTE		1RTE	1RTE	1RTE
DRAG HITCH SHACKLE	DHS	2	122	122	122
HITCH PLATE PIN W/ NUT - THREADED	HPP	2	124L	124L	124L
HITCH PLATE PIN NUT ONLY	HPPN		118SN	118SN	118SN
HITCH PLATE PROTECTOR CUP	HPC	2	C-1	C-1	C-1
HITCH PLATE EXTENSION W/ PIN AND NUT	HPE	2	12HPE	12HPE	12HPE
HITCH PLATE EXTENSION CASTING ONLY	E		12E	12E	12E
HITCH PLATE EXTENSION PIN AND NUT ONLY	HPEP		12P	12P	12P
HITCH PLATE EXTENSION PIN NUT ONLY	HPEN		118SN	118SN	118SN
TRUNION LINK COMPLETE W/ PINS	TL	2	126N	126N	126N
TRUNION LINK PIN W/ NUT-TOP - THREADED	TTP	2	128N	128N	128N
TRUNION LINK PIN NUT ONLY	TTPN		118SN	118SN	118SN
TRUNION LINK PIN - BOTTOM	BTP	2	130	130	130
SPREADER BAR COMPLETE W/ PINS	SB	1	11432L	11432T	11432H
SPREADER BAR PIN W/ NUT - THREADED	SBP	4	34118N	34118N	34118N
SPREADER BAR PIN NUT ONLY	SBPN		118SN	118SN	118SN

# 1 1/4 YARD BUCKET CONT

## BUCKET SIZE

[HOME](#)


			TYPE "LS"	TYPE "TS"	TYPE "HS"
SPREADER BAR END CASTING	SBE	2	33118N	33118N	33118N
HOOD ANGLE	HA	1	234N	234N	234N
HOOD ANGLE PIN W/ NUT - THREADED	HAP	1	236N	236N	236N
HOOD ANGLE PIN NUT ONLY	HAPN		114SN	114SN	114SN
ARCH DUMP SOCKET W/ WEDGE	ADS	1	238	238	238
ARCH DUMP SOCKET WEDGE ONLY	ADSW	1	240W	240W	240W
REPLACEMENT BUCKET BOTTOM COMPLETE - With bottom runners, corner wear plates, bottom runner shoes and corner wear plate shoes welded on as these items are applicable to the type covered. ALL BOTTOMS SHIPPED COMPLETE UNLESS OTHERWISE SPECIFIED.	RBBC	1	114BC-L	114BC-T	114BC-H
REPLACEMENT BUCKET BOTTOM ONLY	RBB	1	114B-L	114B-T	114B-H
REPLACEMENT BOTTOM RUNNER	RR	4	114RR-S	112HSR	112HSR
REPLACEMENT BOTTOM RUNNER SHOE	S	4			112S
REPLACEMENT STUB RUNNER	SR	3		1SR	1SR
CORNER WEAR PLATE	CWP	2	112CWP-L	112HP	112HP
CORNER WEAR PLATE SHOE	HPS	2			112HPS
DUMP BLOCK COMPLETE	DB	1	9 1/2 DB	9 1/2 DB	9 1/2 DB

# 1 1/2 YARD BUCKET

## BUCKET SIZE

[HOME](#)


PART	SYMBOL	NO. REQ.	TYPE "LS"	TYPE "TS"	TYPE "HS"
			PART NUMBER	PART NUMBER	PART NUMBER
TOOTH POINT W/ KEEPER	TP	4	A242	A1004	266
TOOTH POINT BOLT ONLY	TPB	4		A458	
TOOTH POINT WEDGE ONLY	TPW	4	#2		#6
DRAG CHAIN	DC	2	118D20	118D20	114D18L
REPAIR LINK FOR DRAG CHAIN	RL		118RL	118RL	114RL
END LINK FOR DRAG CHAIN	EL		118EL	118EL	114EL
HOIST CHAIN - TOP SECTION	HCT	2	78T9	78T9	78T9
HOIST CHAIN - BOTTOM SECTION	HCB	2	78B7	78B7	78B7
REPAIR LINK FOR HOIST CHAIN	RL		78RL	78RL	78RL
END LINK FOR HOIST CHAIN	EL		78EL	78EL	78EL
3-WAY DRAG HITCH COMPLETE	DH	1	A210L	A210L	A210L
3-WAY DRAG HITCH WEDGE ONLY	DHW	1	A212L	A212L	A212L
3-WAY DRAG HITCH PIN ONLY	DHP	1	214	214	214
DUMP ROPE SOCKET W/ WEDGE	DRS	1	216	216	216
DUMP ROPE SOCKET WEDGE ONLY	DRSW	1	240	240	240
LIP-ALLOY STEEL W/TOOTH BASES AND TOOTH POINTS	LC	1	W112L114C		

# 1 1/2 YARD BUCKET CONT

## BUCKET SIZE

[HOME](#)


			TYPE "LS"	TYPE "TS"	TYPE "HS"
LIP MANGANSES STEEL W/ TOOTH BASES AND TOOTH POINTS	LMC	1		112T-LM	11285H-12
REPLACEMENT TOOTH BASE	RTB		A262	112RTB-T	S265P
TOOTH BASE PIN ONLY	TBP	2			A
REPLACEMENT HITCH PLATE END ONLY	RHP		2RHP	2RHP	2RHP
REPLACEMENT TRUNION END ONLY	RTE		2RTE	2RTE	2RTE
DRAG HITCH SHACKLE	DHS	2	222	222	222
HITCH PLATE PIN W/ NUT - THREADED	HPP	2	224L	224L	224L
HITCH PLATE PIN NUT ONLY	HPPN		138SN	138SN	138SN
HITCH PLATE PROTECTOR CUP	HPC	2	C-2	C-2	C-2
HITCH PLATE EXTENSION W/ PIN AND NUT	HPE	2	22HPE	22HPE	22HPE
HITCH PLATE EXTENSION CASTING ONLY	E		22E	22E	22E
HITCH PLATE EXTENSION PIN AND NUT ONLY	HPEP		22P	22P	22P
HITCH PLATE EXTENSION PIN NUT ONLY	HPEN		138SN	138SN	138SN
TRUNION LINK COMPLETE W/ PINS	TL	2	226N	226N	226N
TRUNION LINK PIN W/ NUT-TOP - THREADED	TTP	2	228N	228N	228N
TRUNION LINK PIN NUT ONLY	TTPN		114SN	114SN	114SN
TRUNION LINK PIN - BOTTOM	BTP	2	230	230	230
SPREADER BAR COMPLETE W/ PINS	SB	1	11232L	11232T	11232H
SPREADER BAR PIN W/ NUT - THREADED	SBP	4	34114N	34114N	34114N
SPREADER BAR PIN NUT ONLY	SBPN		114SN	114SN	114SN

# 1 1/2 YARD BUCKET CONT

## BUCKET SIZE

[HOME](#)


			TYPE "LS"	TYPE "TS"	TYPE "HS"
SPREADER BAR END CASTING	SBE	2	33114N	33114N	33114N
HOOD ANGLE	HA	1	234N	234N	234N
HOOD ANGLE PIN W/ NUT - THREADED	HAP	1	236N	236N	236N
HOOD ANGLE PIN NUT ONLY	HAPN		114SN	114SN	114SN
ARCH DUMP SOCKET W/ WEDGE	ADS	1	238	238	238
ARCH DUMP SOCKET WEDGE ONLY	ADSW	1	240	240	240
REPLACEMENT BUCKET BOTTOM COMPLETE - With bottom runners, corner wear plates, bottom runner shoes and corner wear plate shoes welded on as these items are applicable to the type covered. ALL BOTTOMS SHIPPED COMPLETE UNLESS OTHERWISE SPECIFIED.	RBBC	1	112BC-L	112BC-T	112BC-H-12
REPLACEMENT BUCKET BOTTOM ONLY	RBB	1	112B-L	112B-T	112B-H-12
REPLACEMENT BOTTOM RUNNER	RR	4	112RR-S	112HSR	T112HSR
REPLACEMENT BOTTOM RUNNER SHOE	S	4			112S
REPLACEMENT STUB RUNNER	SR	3		112SR	
REPLACEMENT INTERMEDIATE RUNNER	ITR	3			T112R
CORNER WEAR PLATE	CWP	2	112CWPS	112HP	112HP
CORNER WEAR PLATE SHOE	HPS	2			112HPS
DUMP BLOCK COMPLETE	DB	1	11DB	11DB	11DB

# 1 3/4 YARD BUCKET

## BUCKET SIZE

[HOME](#)


PART	SYMBOL	NO. REQ.	TYPE "LS"		TYPE "TS"	TYPE "HS"
			PART NUMBER	PART NUMBER	PART NUMBER	PART NUMBER
TOOTH POINT W/ KEEPER	TP	4	A242	204HX		266
TOOTH POINT BOLT ONLY	TPB	4		A434		
TOOTH POINT WEDGE ONLY	TPW	4	#2			#6
DRAG CHAIN	DC	2	114D20L	114D20L		138D20
REPAIR LINK FOR DRAG CHAIN	RL		114RL	114RL		138RL
END LINK FOR DRAG CHAIN	EL		114EL	114EL		138EL
HOIST CHAIN - TOP SECTION	HCT	2	1T9	1T9		1T9
HOIST CHAIN - BOTTOM SECTION	HCB	2	1B5	1B5		1B5
REPAIR LINK FOR HOIST CHAIN	RL		1RL	1RL		1RL
END LINK FOR HOIST CHAIN	EL		1EL	1EL		1EL
3-WAY DRAG HITCH COMPLETE	DH	1	A210L	A210L		A210L
3-WAY DRAG HITCH WEDGE ONLY	DHW	1	A212L	A212L		A212L
3-WAY DRAG HITCH PIN ONLY	DHP	1	214	214		214
DUMP ROPE SOCKET W/ WEDGE	DRS	1	216	216		216
DUMP ROPE SOCKET WEDGE ONLY	DRSW	1	240	240		240
LIP-ALLOY STEEL W/TOOTH BASES AND TOOTH POINTS	LC	1	W134L114C			



# 1 3/4 YARD BUCKET CONT

## BUCKET SIZE

[HOME](#)


			TYPE "LS"	TYPE "TS"	TYPE "HS"
LIP MANGANSES STEEL W/ TOOTH BASES AND TOOTH POINTS	LMC	1		134T-LM	134B5H
REPLACEMENT TOOTH BASE	RTB		A262	2RTB-T	S265P
TOOTH BASE PIN ONLY	TBP	2			A
REPLACEMENT HITCH PLATE END ONLY	RHP		2RHP	2RHP	2RHP
REPLACEMENT TRUNION END ONLY	RTE		2RTE	2RTE	2RTE
DRAG HITCH SHACKLE	DHS	2	222	222	222
HITCH PLATE PIN W/ NUT - THREADED	HPP	2	224	224	224
HITCH PLATE PIN NUT ONLY	HPPN		138SN	138SN	138SN
HITCH PLATE PROTECTOR CUP	HPC	2	C-2	C-2	C-2
HITCH PLATE EXTENSION W/ PIN AND NUT	HPE	2	22HPE	22HPE	22HPE
HITCH PLATE EXTENSION CASTING ONLY	E		22E	22E	22E
HITCH PLATE EXTENSION PIN AND NUT ONLY	HPEP		22P	22P	22P
HITCH PLATE EXTENSION PIN NUT ONLY	HPEN		138SN	138SN	138SN
TRUNION LINK COMPLETE W/ PINS	TL	2	226N	226N	226N
TRUNION LINK PIN W/ NUT-TOP - THREADED	TTP	2	228N	228N	228N
TRUNION LINK PIN NUT ONLY	TTPN		114SN	114SN	114SN
TRUNION LINK PIN - BOTTOM	BTP	2	230	230	230
SPREADER BAR COMPLETE W/ PINS	SB	1	13432L	13432T	13432H
SPREADER BAR PIN W/ NUT - THREADED	SBP	4	34114N	34114N	34114N
SPREADER BAR PIN NUT ONLY	SBPN		114SN	114SN	114SN

# 1 3/4 YARD BUCKET CONT

## BUCKET SIZE

[HOME](#)


			TYPE "LS"	TYPE "TS"	TYPE "HS"
SPREADER BAR END CASTING	SBE	2	33114N	33114N	33112N
HOOD ANGLE	HA	1	234N	234N	234N
HOOD ANGLE PIN W/ NUT - THREADED	HAP	1	236N	236N	236N
HOOD ANGLE PIN NUT ONLY	HAPN		114SN	114SN	114SN
ARCH DUMP SOCKET W/ WEDGE	ADS	1	238	238	238
ARCH DUMP SOCKET WEDGE ONLY	ADSW	1	240	240	240
REPLACEMENT BUCKET BOTTOM COMPLETE - With bottom runners, corner wear plates, bottom runner shoes and corner wear plate shoes welded on as these items are applicable to the type covered. ALL BOTTOMS SHIPPED COMPLETE UNLESS OTHERWISE SPECIFIED.	RBBC	1	134BC-L	134BC-T	134BC-H
REPLACEMENT BUCKET BOTTOM ONLY	RBB	1	134B-L	134B-T	134B-H
REPLACEMENT BOTTOM RUNNER	RR	4	134RR-S	212HSR	T212HSR
REPLACEMENT BOTTOM RUNNER SHOE	S	4			212S
REPLACEMENT STUB RUNNER	SR	3		2SR	
REPLACEMENT INTERMEDIATE RUNNER	ITR	3			T2R
CORNER WEAR PLATE	CWP	2	2CWPS	212HP	212HP
CORNER WEAR PLATE SHOE	HPS	2			212HPS
DUMP BLOCK COMPLETE	DB	1	11DB	11DB	11DB

# 2 YARD BUCKET

## BUCKET SIZE

[HOME](#)


PART	SYMBOL	NO. REQ.	TYPE "LS"		TYPE "TS"	TYPE "HS"
			PART NUMBER	PART NUMBER	PART NUMBER	PART NUMBER
TOOTH POINT W/ KEEPER	TP	4	A242	204HX	266	
TOOTH POINT BOLT ONLY	TPB	4		A434		
TOOTH POINT WEDGE ONLY	TPW	4	#2		#6	
DRAG CHAIN	DC	2	114D20L	114D20L	138D20	
REPAIR LINK FOR DRAG CHAIN	RL		114RL	114RL	138RL	
END LINK FOR DRAG CHAIN	EL		114EL	114EL	138EL	
HOIST CHAIN - TOP SECTION	HCT	2	1T9	1T9	1T9	
HOIST CHAIN - BOTTOM SECTION	HCB	2	1B7	1B7	1B7	
REPAIR LINK FOR HOIST CHAIN	RL		1RL	1RL	1RL	
END LINK FOR HOIST CHAIN	EL		1EL	1EL	1EL	
3-WAY DRAG HITCH COMPLETE	DH	1	A210L	A210L	A210L	
3-WAY DRAG HITCH WEDGE ONLY	DHW	1	A212L	A212L	A212L	
3-WAY DRAG HITCH PIN ONLY	DHP	1	214	214	214	
DUMP ROPE SOCKET W/ WEDGE	DRS	1	216	216	216	
DUMP ROPE SOCKET WEDGE ONLY	DRSW	1	240	240	240	
LIP-ALLOY STEEL W/TOOTH BASES AND TOOTH POINTS	LC	1	W2L112C			

# 2 YARD BUCKET CONT

## BUCKET SIZE

[HOME](#)


			TYPE "LS"	TYPE "TS"	TYPE "HS"
LIP MANGANSES STEEL W/ TOOTH BASES AND TOOTH POINTS	LMC	1		2T-LM	285H
REPLACEMENT TOOTH BASE	RTB		A262	2RTB-T	S265P
TOOTH BASE PIN ONLY	TBP	2			A
REPLACEMENT HITCH PLATE END ONLY	RHP		2RHP	2RHP	2RHP
REPLACEMENT TRUNION END ONLY	RTE		2RTE	2RTE	2RTE
DRAG HITCH SHACKLE	DHS	2	222	222	222
HITCH PLATE PIN W/ NUT - THREADED	HPP	2	224	224	224
HITCH PLATE PIN NUT ONLY	HPPN		138SN	138SN	138SN
HITCH PLATE PROTECTOR CUP	HPC	2	C-2	C-2	C-2
HITCH PLATE EXTENSION W/ PIN AND NUT	HPE	2	22HPE	22HPE	22HPE
HITCH PLATE EXTENSION CASTING ONLY	E		22E	22E	22E
HITCH PLATE EXTENSION PIN AND NUT ONLY	HPEP		22P	22P	22P
HITCH PLATE EXTENSION PIN NUT ONLY	HPEN		138SN	138SN	138SN
TRUNION LINK COMPLETE W/ PINS	TL	2	226N	226N	226N
TRUNION LINK PIN W/ NUT-TOP - THREADED	TTP	2	228N	228N	228N
TRUNION LINK PIN NUT ONLY	TTPN		114SN	114SN	114SN
TRUNION LINK PIN - BOTTOM	BTP	2	230	230	230
SPREADER BAR COMPLETE W/ PINS	SB	1	232L	232T	232H
SPREADER BAR PIN W/ NUT - THREADED	SBP	4	34114N	34114N	34112N
SPREADER BAR PIN NUT ONLY	SBPN		114SN	114SN	112SN

# 2 YARD BUCKET CONT

## BUCKET SIZE

[HOME](#)


			TYPE "LS"	TYPE "TS"	TYPE "HS"
SPREADER BAR END CASTING	SBE	2	33114N	33114N	33112N
HOOD ANGLE	HA	1	234N	234N	234N
HOOD ANGLE PIN W/ NUT - THREADED	HAP	1	236N	236N	236N
HOOD ANGLE PIN NUT ONLY	HAPN		114SN	114SN	114SN
ARCH DUMP SOCKET W/ WEDGE	ADS	1	238	238	238
ARCH DUMP SOCKET WEDGE ONLY	ADSW	1	240	240	240
REPLACEMENT BUCKET BOTTOM COMPLETE - With bottom runners, corner wear plates, bottom runner shoes and corner wear plate shoes welded on as these items are applicable to the type covered. ALL BOTTOMS SHIPPED COMPLETE UNLESS OTHERWISE SPECIFIED.	RBBC	1	2BC-L	2BC-T	2BC-H
REPLACEMENT BUCKET BOTTOM ONLY	RBB	1	2B-L	2B-T	2B-H
REPLACEMENT BOTTOM RUNNER	RR	4	2RR-S	212HSR	T212HSR
REPLACEMENT BOTTOM RUNNER SHOE	S	4			212S
REPLACEMENT STUB RUNNER	SR	3		2SR	
REPLACEMENT INTERMEDIATE RUNNER	ITR	3			T2R
CORNER WEAR PLATE	CWP	2	2CWPS	212HP	212HP
CORNER WEAR PLATE SHOE	HPS	2			212HPS
DUMP BLOCK COMPLETE	DB	1	11DB	11DB	11DB

# 2 1/4 YARD BUCKET

## BUCKET SIZE

[HOME](#)

PART	SYMBOL	NO. REQ.	TYPE "LS"		TYPE "TS"	TYPE "HS"
			PART NUMBER	PART NUMBER	PART NUMBER	PART NUMBER
TOOTH POINT W/ KEEPER	TP	4	A242	204HX	266	
TOOTH POINT BOLT ONLY	TPB	4		A434		
TOOTH POINT WEDGE ONLY	TPW	4	#2		#6	
DRAG CHAIN	DC	2	114D20L	114D20L	138D20	
REPAIR LINK FOR DRAG CHAIN	RL		114RL	114RL	138RL	
END LINK FOR DRAG CHAIN	EL		114EL	114EL	138EL	
HOIST CHAIN - TOP SECTION	HCT	2	1T9	1T9	1T9	
HOIST CHAIN - BOTTOM SECTION	HCB	2	1B7	1B7	1B7	
REPAIR LINK FOR HOIST CHAIN	RL		1RL	1RL	1RL	
END LINK FOR HOIST CHAIN	EL		1EL	1EL	1EL	
3-WAY DRAG HITCH COMPLETE	DH	1	A210L	A210L	A210L	
3-WAY DRAG HITCH WEDGE ONLY	DHW	1	A212L	A212L	A212L	
3-WAY DRAG HITCH PIN ONLY	DHP	1	214	214	214	
DUMP ROPE SOCKET W/ WEDGE	DRS	1	216	216	216	
DUMP ROPE SOCKET WEDGE ONLY	DRSW	1	240	240	240	
LIP-ALLOY STEEL W/TOOTH BASES AND TOOTH POINTS	LC	1	W214L112C			
LIP MANGANSES STEEL W/ TOOTH BASES AND TOOTH POINTS	LMC	1		214T-LM	21485H	

# 2 1/4 YARD BUCKET CONT

## BUCKET SIZE

[HOME](#)


			TYPE "LS"	TYPE "TS"	TYPE "HS"
REPLACEMENT TOOTH BASE	RTB		A262	2RTB-T	S265P
TOOTH BASE PIN ONLY	TBP	2			A
REPLACEMENT HITCH PLATE END ONLY	RHP		2RHP	2RHP	2RHP
REPLACEMENT TRUNION END ONLY	RTE		2RTE	2RTE	2RTE
DRAG HITCH SHACKLE	DHS	2	222	222	222
HITCH PLATE PIN W/ NUT - THREADED	HPP	2	224	224	224
HITCH PLATE PIN NUT ONLY	HPPN		138SN	138SN	138SN
HITCH PLATE PROTECTOR CUP	HPC	2	C-2	C-2	C-2
HITCH PLATE EXTENSION W/ PIN AND NUT	HPE	2	22HPE	22HPE	22HPE
HITCH PLATE EXTENSION CASTING ONLY	E		22E	22E	22E
HITCH PLATE EXTENSION PIN AND NUT ONLY	HPEP		22P	22P	22P
HITCH PLATE EXTENSION PIN NUT ONLY	HPEN		138SN	138SN	138SN
TRUNION LINK COMPLETE W/ PINS	TL	2	226N	226N	226N
TRUNION LINK PIN W/ NUT-TOP - THREADED	TTP	2	228N	228N	228N
TRUNION LINK PIN NUT ONLY	TTPN		114SN	114SN	114SN
TRUNION LINK PIN - BOTTOM	BTP	2	230	230	230
SPREADER BAR COMPLETE W/ PINS	SB	1	21432L	21432T	21432H
SPREADER BAR PIN W/ NUT - THREADED	SBP	4	34114N	34114N	34112N
SPREADER BAR PIN NUT ONLY	SBPN		114SN	114SN	112SN

# 2 1/4 YARD BUCKET CONT

## BUCKET SIZE

[HOME](#)


			TYPE "LS"	TYPE "TS"	TYPE "HS"
SPREADER BAR END CASTING	SBE	2	33114N	33114N	33112N
HOOD ANGLE	HA	1	234N	234N	234N
HOOD ANGLE PIN W/ NUT - THREADED	HAP	1	236N	236N	236N
HOOD ANGLE PIN NUT ONLY	HAPN		114SN	114SN	114SN
ARCH DUMP SOCKET W/ WEDGE	ADS	1	238	238	238
ARCH DUMP SOCKET WEDGE ONLY	ADSW	1	240	240	240
REPLACEMENT BUCKET BOTTOM COMPLETE - With bottom runners, corner wear plates, bottom runner shoes and corner wear plate shoes welded on as these items are applicable to the type covered. ALL BOTTOMS SHIPPED COMPLETE UNLESS OTHERWISE SPECIFIED.	RBBC	1	214BC-L	214BC-T	214BC-H
REPLACEMENT BUCKET BOTTOM ONLY	RBB	1	214B-L	214B-T	214B-H
REPLACEMENT BOTTOM RUNNER	RR	4	214RR-S	212HSR	T212HSR
REPLACEMENT BOTTOM RUNNER SHOE	S	4			212S
REPLACEMENT STUB RUNNER	SR	3		2SR	
REPLACEMENT INTERMEDIATE RUNNER	ITR	3			T2R
CORNER WEAR PLATE	CWP	2	2SWPS	212HP	212HP
CORNER WEAR PLATE SHOE	HPS	2			212HPS
DUMP BLOCK COMPLETE	DB	1	11DB	11DB	11DB



# 2 1/2 YARD BUCKET

## BUCKET SIZE

[HOME](#)


PART	SYMBOL	NO. REQ.	TYPE "LS"	TYPE "TS"	TYPE "HS"
			PART NUMBER	PART NUMBER	PART NUMBER
TOOTH POINT W/ KEEPER	TP	4	A242	204HX	266
TOOTH POINT BOLT ONLY	TPB	4		A434	
TOOTH POINT WEDGE ONLY	TPW	4	#2		#6
DRAG CHAIN	DC	2	138D22	138D22	122D20
REPAIR LINK FOR DRAG CHAIN	RL		138RL	138RL	112RL
END LINK FOR DRAG CHAIN	EL		138EL	138EL	112EL
HOIST CHAIN - TOP SECTION	HCT	2	1T9	1T9	1T9
HOIST CHAIN - BOTTOM SECTION	HCB	2	1B7	1B7	1B7
REPAIR LINK FOR HOIST CHAIN	RL		1RL	1RL	1RL
END LINK FOR HOIST CHAIN	EL		1EL	1EL	1EL
3-WAY DRAG HITCH COMPLETE	DH	1	A210L	A210L	A210L
3-WAY DRAG HITCH WEDGE ONLY	DHW	1	A212L	A212L	A212L
3-WAY DRAG HITCH PIN ONLY	DHP	1	214	214	214
DUMP ROPE SOCKET W/ WEDGE	DRS	1	216	216	216
DUMP ROPE SOCKET WEDGE ONLY	DRSW	1	240	240	240
LIP-ALLOY STEEL W/TOOTH BASES AND TOOTH POINTS	LC	1	W212L112C		
LIP MANGANSES STEEL W/ TOOTH BASES AND TOOTH POINTS	LMC	1		212T-LM	21285H

# 2 1/2 YARD BUCKET CONT

## BUCKET SIZE

[HOME](#)


			TYPE "LS"	TYPE "TS"	TYPE "HS"
REPLACEMENT TOOTH BASE	RTB		A262	2RTB-T	S265P
TOOTH BASE PIN ONLY	TBP	2			A
REPLACEMENT HITCH PLATE END ONLY	RHP		2RHP	2RHP	2RHP
REPLACEMENT TRUNION END ONLY	RTE		2RTE	2RTE	2RTE
DRAG HITCH SHACKLE	DHS	2	222	222	222
HITCH PLATE PIN W/ NUT - THREADED	HPP	2	224	224	224
HITCH PLATE PIN NUT ONLY	HPPN		138SN	138SN	138SN
HITCH PLATE PROTECTOR CUP	HPC	2	C-2	C-2	C-2
HITCH PLATE EXTENSION W/ PIN AND NUT	HPE	2	22HPE	22HPE	22HPE
HITCH PLATE EXTENSION CASTING ONLY	E		22E	22E	22E
HITCH PLATE EXTENSION PIN AND NUT ONLY	HPEP		22P	22P	22P
HITCH PLATE EXTENSION PIN NUT ONLY	HPEN		138SN	138SN	138SN
TRUNION LINK COMPLETE W/ PINS	TL	2	226N	226N	226N
TRUNION LINK PIN W/ NUT-TOP - THREADED	TTP	2	228N	228N	228N
TRUNION LINK PIN NUT ONLY	TTPN		114SN	114SN	114SN
TRUNION LINK PIN - BOTTOM	BTP	2	230	230	230
SPREADER BAR COMPLETE W/ PINS	SB	1	21232L	21232T	21232H
SPREADER BAR PIN W/ NUT - THREADED	SBP	4	34114N	34114N	34112N
SPREADER BAR PIN NUT ONLY	SBPN		114SN	114SN	1125N

# 2 1/2 YARD BUCKET CONT

## BUCKET SIZE

[HOME](#)


			TYPE "LS"	TYPE "TS"	TYPE "HS"
SPREADER BAR END CASTING	SBE	2	33114N	33114N	33112N
HOOD ANGLE	HA	1	234N	234N	234N
HOOD ANGLE PIN W/ NUT - THREADED	HAP	1	236N	236N	236N
HOOD ANGLE PIN NUT ONLY	HAPN		114SN	114SN	114SN
ARCH DUMP SOCKET W/ WEDGE	ADS	1	238	238	238
ARCH DUMP SOCKET WEDGE ONLY	ADSW	1	240	240	240
REPLACEMENT BUCKET BOTTOM COMPLETE - With bottom runners, corner wear plates, bottom runner shoes and corner wear plate shoes welded on as these items are applicable to the type covered. ALL BOTTOMS SHIPPED COMPLETE UNLESS OTHERWISE SPECIFIED.	RBBC	1	212BC-L	212BC-T	212BC-H
REPLACEMENT BUCKET BOTTOM ONLY	RBB	1	212B-L	212B-T	2B-H
REPLACEMENT BOTTOM RUNNER	RR	4	212RR-S	212HSR	T212HSR
REPLACEMENT BOTTOM RUNNER SHOE	S	4			212S
REPLACEMENT STUB RUNNER	SR	3		2SR	
REPLACEMENT INTERMEDIATE RUNNER	ITR	3			T2R
CORNER WEAR PLATE	CWP	2	2CWPS	212HP	212HP
CORNER WEAR PLATE SHOE	HPS	2			212HPS
DUMP BLOCK COMPLETE	DB	1	13DB	13DB	13DB

# 2 3/4 YARD BUCKET

## BUCKET SIZE

[HOME](#)


PART	SYMBOL	NO. REQ.	TYPE "LS"	TYPE "TS"	TYPE "HS"
			PART NUMBER	PART NUMBER	PART NUMBER
TOOTH POINT W/ KEEPER	TP	4	A344	304HX	366
TOOTH POINT BOLT ONLY	TPB	4		A434	
TOOTH POINT WEDGE ONLY	TPW	4	#2		#6
DRAG CHAIN	DC	2	138D22	138D22	112D20
REPAIR LINK FOR DRAG CHAIN	RL		138RL	138RL	112RL
END LINK FOR DRAG CHAIN	EL		138EL	138EL	112EL
HOIST CHAIN - TOP SECTION	HCT	2	118T9	118T9	118T9
HOIST CHAIN - BOTTOM SECTION	HCB	2	118B7	118B7	118B7
REPAIR LINK FOR HOIST CHAIN	RL		118RL	118RL	118RL
END LINK FOR HOIST CHAIN	EL		118EL	118EL	118EL
3-WAY DRAG HITCH COMPLETE	DH	1	A310L	A310L	A310L
3-WAY DRAG HITCH WEDGE ONLY	DHW	1	A312L	A312L	A312L
3-WAY DRAG HITCH PIN ONLY	DHP	1	314	314	314
DUMP ROPE SOCKET W/ WEDGE	DRS	1	316	316	316
DUMP ROPE SOCKET WEDGE ONLY	DRSW	1	340	340	340
LIP-ALLOY STEEL W/TOOTH BASES AND TOOTH POINTS	LC	1	W234L112C		
LIP MANGANSES STEEL W/ TOOTH BASES AND TOOTH POINTS	LMC	1		234T-LM	S23485H

# 2 3/4 YARD BUCKET CONT

## BUCKET SIZE

[HOME](#)


			TYPE "LS"	TYPE "TS"	TYPE "HS"
REPLACEMENT TOOTH BASE	RTB		A362	3RTB-T	S365P
TOOTH BASE PIN ONLY	TBP	2			B
REPLACEMENT HITCH PLATE END ONLY	RHP		3RHP	3RHP	3RHP
REPLACEMENT TRUNION END ONLY	RTE		3RTE	3RTE	3RTE
DRAG HITCH SHACKLE	DHS	2	322	322	322
HITCH PLATE PIN W/ NUT - THREADED	HPP	2	324	324	324
HITCH PLATE PIN NUT ONLY	HPPN		158SN	158SN	158SN
HITCH PLATE PROTECTOR CUP	HPC	2	C-3	C-3	C-3
HITCH PLATE EXTENSION W/ PIN AND NUT	HPE	2	32HPE	32HPE	32HPE
HITCH PLATE EXTENSION CASTING ONLY	E		32E	32E	32E
HITCH PLATE EXTENSION PIN AND NUT ONLY	HPEP		32P	32P	32P
HITCH PLATE EXTENSION PIN NUT ONLY	HPEN		158SN	158SN	158SN
TRUNION LINK COMPLETE W/ PINS	TL	2	326N	326N	326N
TRUNION LINK PIN W/ NUT-TOP - THREADED	TTP	2	328N	328N	328N
TRUNION LINK PIN NUT ONLY	TTPN		138SN	138SN	138SN
TRUNION LINK PIN - BOTTOM	BTP	2	330	330	330
SPREADER BAR COMPLETE W/ PINS	SB	1	23432L	23432T	23432H
SPREADER BAR PIN W/ NUT - THREADED	SBP	4	34112N	34112N	34112N

# 2 3/4 YARD BUCKET CONT

## BUCKET SIZE

[HOME](#)


			TYPE "LS"	TYPE "TS"	TYPE "HS"
SPREADER BAR PIN NUT ONLY	SBPN		112SN	112SN	112SN
SPREADER BAR END CASTING	SBE	2	33112N	33112N	33112N
HOOD ANGLE	HA	1	334N	334N	334N
HOOD ANGLE PIN W/ NUT - THREADED	HAP	1	336N	336N	336N
HOOD ANGLE PIN NUT ONLY	HAPN		158SN	158SN	158SN
ARCH DUMP SOCKET W/ WEDGE	ADS	1	338	338	338
ARCH DUMP SOCKET WEDGE ONLY	ADSW	1	340	340	340
REPLACEMENT BUCKET BOTTOM COMPLETE - With bottom runners, corner wear plates, bottom runner shoes and corner wear plate shoes welded on as these items are applicable to the type covered. ALL BOTTOMS SHIPPED COMPLETE UNLESS OTHERWISE SPECIFIED.	RBBC	1	234BC-L	234BC-T	234BC-H
REPLACEMENT BUCKET BOTTOM ONLY	RBB	1	234B-L	234B-T	234B-H
REPLACEMENT BOTTOM RUNNER	RR	4	234RR-S	312HSR	T312HSR
REPLACEMENT BOTTOM RUNNER SHOE	S	4			312S
REPLACEMENT STUB RUNNER	SR	3		3SR	
REPLACEMENT INTERMEDIATE RUNNER	ITR	3			T3R
CORNER WEAR PLATE	CWP	2	3CWPS	312HP	312HP
CORNER WEAR PLATE SHOE	HPS	2			312HPS
DUMP BLOCK COMPLETE	DB	1	13DB	13DB	13DB

# 3 YARD BUCKET

## BUCKET SIZE

[HOME](#)


			TYPE "LS"	TYPE "TS"	TYPE "HS"	TYPE "MH"
PART	SYMBOL	NO. REQ.	PART NUMBER	PART NUMBER	PART NUMBER	PART NUMBER
TOOTH POINT W/ KEEPER	TP	4	A344	304HX	366	366
TOOTH POINT BOLT ONLY	TPB	4		A434		
TOOTH POINT WEDGE ONLY	TPW	4	#2		#6	#6
DRAG CHAIN	DC	2	138D24	138D24	112D22	112D22
REPAIR LINK FOR DRAG CHAIN	RL		138RL	138RL	112RL	112RL
END LINK FOR DRAG CHAIN	EL		138EL	138EL	112EL	112EL
HOIST CHAIN - TOP SECTION	HCT	2	118T9	118T9	118T9	118T9
HOIST CHAIN - BOTTOM SECTION	HCB	2	118B7	118B7	118B7	118B7
REPAIR LINK FOR HOIST CHAIN	RL		118RL	118RL	118RL	118RL
END LINK FOR HOIST CHAIN	EL		118EL	118EL	118EL	118EL
3-WAY DRAG HITCH COMPLETE	DH	1	A310L	A310L	A310L	A310L
3-WAY DRAG HITCH WEDGE ONLY	DHW	1	A312L	A312L	A312L	A312L
3-WAY DRAG HITCH PIN ONLY	DHP	1	314	314	314	314
DUMP ROPE SOCKET W/ WEDGE	DRS	1	316	316	316	316
DUMP ROPE SOCKET WEDGE ONLY	DRSW	1	340	340	340	340
LIP-ALLOY STEEL W/TOOTH BASES AND TOOTH POINTS	LC	1	W3L112C			
LIP MANGANSES STEEL W/ TOOTH BASES AND TOOTH POINTS	LMC	1		3T-LM	S385H	S385MH

# 3 YARD BUCKET CONT

## BUCKET SIZE

[HOME](#)


			TYPE "LS"	TYPE "TS"	TYPE "HS"	TYPE "MH"
REPLACEMENT TOOTH BASE	RTB		A362	3RTB-T	S365P	S465P-3
TOOTH BASE PIN ONLY	TBP	2			B	B
REPLACEMENT HITCH PLATE END ONLY	RHP		3RHP	3RHP	3RHP	3RHP
REPLACEMENT TRUNION END ONLY	RTE		3RTE	3RTE	3RTE	3RTE
DRAG HITCH SHACKLE	DHS	2	322	322	322	322
HITCH PLATE PIN W/ NUT - THREADED	HPP	2	324	324	324	324
HITCH PLATE PIN NUT ONLY	HPPN		158SN	158SN	158SN	158SN
HITCH PLATE PROTECTOR CUP	HPC	2	C-3	C-3	C-3	C-3
HITCH PLATE EXTENSION W/ PIN AND NUT	HPE	2	32HPE	32HPE	32HPE	32HPE
HITCH PLATE EXTENSION CASTING ONLY	E		32E	32E	32E	32E
HITCH PLATE EXTENSION PIN AND NUT ONLY	HPEP		32P	32P	32P	32P
HITCH PLATE EXTENSION PIN NUT ONLY	HPEN		158SN	158SN	158SN	158SN
TRUNION LINK COMPLETE W/ PINS	TL	2	326N	326N	326N	326N
TRUNION LINK PIN W/ NUT-TOP - THREADED	TTP	2	328N	328N	328N	328N
TRUNION LINK PIN NUT ONLY	TTPN		138SN	138SN	138SN	138SN
TRUNION LINK PIN - BOTTOM	BTP	2	330	330	330	330
SPREADER BAR COMPLETE W/ PINS	SB	1	332L	332T	332H	R332MH
SPREADER BAR PIN W/ NUT - THREADED	SBP	4	34112N	34112N	34158N	34158N



# 3 YARD BUCKET CONT

## BUCKET SIZE

[HOME](#)


			TYPE "LS"	TYPE "TS"	TYPE "HS"	TYPE "MH"
SPREADER BAR PIN NUT ONLY	SBPN		112SN	112SN	158SN	158SN
SPREADER BAR END CASTING	SBE	2	33112N	33112N	33158N	R33158N
HOOD ANGLE	HA	1	334N	334N	334N	334N
HOOD ANGLE PIN W/ NUT - THREADED	HAP	1	336N	336N	336N	336N
HOOD ANGLE PIN NUT ONLY	HAPN		158SN	158SN	158SN	158SN
ARCH DUMP SOCKET W/ WEDGE	ADS	1	338	338	338	338
ARCH DUMP SOCKET WEDGE ONLY	ADSW	1	340	340	340	340
REPLACEMENT BUCKET BOTTOM COMPLETE	RBBC	1	3BC-L	3BC-T	3BC-H	3BC-MH
REPLACEMENT BUCKET BOTTOM ONLY	RBB	1	3B-L	3B-T	3B-H	3B-MH
REPLACEMENT BOTTOM RUNNER	RR	4	3RR-S	312HSR	T312HSR	T312HSR
REPLACEMENT BOTTOM RUNNER SHOE	S	4			312S	312S
REPLACEMENT STUB RUNNER	SR	3		3SR		
REPLACEMENT INTERMEDIATE RUNNER	ITR	3			T3R	T3R
CORNER WEAR PLATE	CWP	2	3CWPS	312HP	312HP	S412HP
CORNER WEAR PLATE SHOE	HPS	2			312HPS	S412HPS
LIP SHROUD - CURVED SECTION R.H		1		3R-TN	S385R-H	S385R-MH
LIP SHROUD - CURVED SECTION L.H		1		3L-TN	S385L-H	S385L-MH
LIP SHROUD - STRAIGHT SECTION		3		3S-TN	S385S-H	S385S-MH
DUMP BLOCK COMPLETE	DB	1	13DB	13DB	13DB	13DB

# 3 1/4 YARD BUCKET

## BUCKET SIZE

[HOME](#)


			TYPE "LS"	TYPE "TS"	TYPE "HS"	TYPE "MH"
PART	SYMBOL	NO. REQ.	PART NUMBER	PART NUMBER	PART NUMBER	PART NUMBER
TOOTH POINT W/ KEEPER	TP	4	A344	304HX	366	366
TOOTH POINT BOLT ONLY	TPB	4		A434		
TOOTH POINT WEDGE ONLY	TPW	4	#4		#6	#6
DRAG CHAIN	DC	2	138D24	138D24	112D22	112D22
REPAIR LINK FOR DRAG CHAIN	RL		138RL	138RL	112RL	112RL
END LINK FOR DRAG CHAIN	EL		138EL	138EL	112EL	112EL
HOIST CHAIN - TOP SECTION	HCT	2	118T11	118T11	118T11	118T11
HOIST CHAIN - BOTTOM SECTION	HCB	2	118B7	118B7	118B7	118B7
REPAIR LINK FOR HOIST CHAIN	RL		118RL	118RL	118RL	118RL
END LINK FOR HOIST CHAIN	EL		118EL	118EL	118EL	118EL
3-WAY DRAG HITCH COMPLETE	DH	1	A310L	A310L	A310L	A310L
3-WAY DRAG HITCH WEDGE ONLY	DHW	1	A312L	A312L	A312L	A312L
3-WAY DRAG HITCH PIN ONLY	DHP	1	314	314	314	314
DUMP ROPE SOCKET W/ WEDGE	DRS	1	316	316	316	316
DUMP ROPE SOCKET WEDGE ONLY	DRSW	1	340	340	340	340
LIP-ALLOY STEEL W/TOOTH BASES AND TOOTH POINTS	LC	1	W314L112C			
LIP MANGANSES STEEL W/ TOOTH BASES AND TOOTH POINTS	LMC	1		314T-LM	S31485H	S385MH

# 3 1/4 YARD BUCKET

## BUCKET SIZE

[HOME](#)


			TYPE "LS"	TYPE "TS"	TYPE "HS"	TYPE "MH"
REPLACEMENT TOOTH BASE	RTB		A362	3RTB-T	S365P	S465P-3
TOOTH BASE PIN ONLY	TBP	2			B	B
REPLACEMENT HITCH PLATE END ONLY	RHP		3RHP	3RHP	3RHP	3RHP
REPLACEMENT TRUNION END ONLY	RTE		3RTE	3RTE	3RTE	3RTE
DRAG HITCH SHACKLE	DHS	2	322	322	322	322
HITCH PLATE PIN W/ NUT - THREADED	HPP	2	324	324	324	324
HITCH PLATE PIN NUT ONLY	HPPN		158SN	158SN	158SN	158SN
HITCH PLATE PROTECTOR CUP	HPC	2	C-3	C-3	C-3	C-3
HITCH PLATE EXTENSION W/ PIN AND NUT	HPE	2	32HPE	32HPE	32HPE	32HPE
HITCH PLATE EXTENSION CASTING ONLY	E		32E	32E	32E	32E
HITCH PLATE EXTENSION PIN AND NUT ONLY	HPEP		32P	32P	32P	32P
HITCH PLATE EXTENSION PIN NUT ONLY	HPEN		158SN	158SN	158SN	158SN
TRUNION LINK COMPLETE W/ PINS	TL	2	326N	326N	326N	326N
TRUNION LINK PIN W/ NUT-TOP - THREADED	TTP	2	328N	328N	328N	328N
TRUNION LINK PIN NUT ONLY	TTPN		138SN	138SN	138SN	138SN
TRUNION LINK PIN - BOTTOM	BTP	2	330	330	330	330
SPREADER BAR COMPLETE W/ PINS	SB	1	31432L	31432T	31432H	R332MH
SPREADER BAR PIN W/ NUT - THREADED	SBP	4	34112N	34112N	34158N	34158N
SPREADER BAR PIN NUT ONLY	SBPN		112SN	112SN	158SN	158SN

# 3 1/4 YARD BUCKET

## BUCKET SIZE

[HOME](#)


			TYPE "LS"	TYPE "TS"	TYPE "HS"	TYPE "MH"
SPREADER BAR END CASTING	SBE	2	33112N	33112N	33158N	R33158N
HOOD ANGLE	HA	1	334N	334N	334N	334N
HOOD ANGLE PIN W/ NUT - THREADED	HAP	1	336N	336N	336N	336N
HOOD ANGLE PIN NUT ONLY	HAPN		158SN	158SN	158SN	158SN
ARCH DUMP SOCKET W/ WEDGE	ADS	1	338	338	338	338
ARCH DUMP SOCKET WEDGE ONLY	ADSW	1	340	340	340	340
REPLACEMENT BUCKET BOTTOM COMPLETE	RBBC	1	314BC-L	314BC-T	314BC-H	314BC-MH
REPLACEMENT BUCKET BOTTOM ONLY	RBB	1	314B-L	314B-T	314B-H	314B-MH
REPLACEMENT BOTTOM RUNNER	RR	4	314RR-S	312HSR	T312HSR	T312HSR
REPLACEMENT BOTTOM RUNNER SHOE	S	4			312S	312S
REPLACEMENT STUB RUNNER	SR	3		3SR		
REPLACEMENT INTERMEDIATE RUNNER	ITR	3			T3R	T3R
CORNER WEAR PLATE	CWP	2	3CWPS	312HP	312HP	S412HP
CORNER WEAR PLATE SHOE	HPS	2			312HPS	S412HPS
LIP SHROUD - CURVED SECTION R.H		1		3R-TN	S31485R-H	S385R-MH
LIP SHROUD - CURVED SECTION L.H		1		3L-TN	S31485L-H	S385L-MH
LIP SHROUD - STRAIGHT SECTION		3		3S-TN	S385S-H	S385S-MH
DUMP BLOCK COMPLETE	DB	1	13DB	13DB	13DB	13DB

# 3 1/2 YARD BUCKET

## BUCKET SIZE

[HOME](#)


TYPE "LS"    TYPE "TS"    TYPE "HS"    TYPE "MH"

PART	SYMBOL	NO. REQ.	PART NUMBER	PART NUMBER	PART NUMBER	PART NUMBER
TOOTH POINT W/ KEEPER	TP	4	A344	304HX	366	366
TOOTH POINT BOLT ONLY	TPB	4		A434		
TOOTH POINT WEDGE ONLY	TPW	4	#4		#6	#6
DRAG CHAIN	DC	2	112D22	112D22	158D24	158D24
REPAIR LINK FOR DRAG CHAIN	RL		112RL	112RL	158RL	158RL
END LINK FOR DRAG CHAIN	EL		112EL	122EL	158EL	158EL
HOIST CHAIN - TOP SECTION	HCT	2	118T11	118T11	118T11	118T11
HOIST CHAIN - BOTTOM SECTION	HCB	2	118B7	118B7	118B7	118B7
REPAIR LINK FOR HOIST CHAIN	RL		118RL	118RL	118RL	118RL
END LINK FOR HOIST CHAIN	EL		118EL	118EL	118EL	118EL
3-WAY DRAG HITCH COMPLETE	DH	1	A310L	A310L	A310L	A310L
3-WAY DRAG HITCH WEDGE ONLY	DHW	1	A312L	A312L	A312L	A312L
3-WAY DRAG HITCH PIN ONLY	DHP	1	314	314	314	314
DUMP ROPE SOCKET W/ WEDGE	DRS	1	316	316	316	316
DUMP ROPE SOCKET WEDGE ONLY	DRSW	1	340	340	340	340
LIP-ALLOY STEEL W/TOOTH BASES AND TOOTH POINTS	LC	1	W314L112C			
LIP MANGANSES STEEL W/ TOOTH BASES AND TOOTH POINTS	LMC	1		312T-LM	S31285H	S485MH-312

# 3 1/2 YARD BUCKET CONT

## BUCKET SIZE

[HOME](#)


			TYPE "LS"	TYPE "TS"	TYPE "HS"	TYPE "MH"
REPLACEMENT TOOTH BASE	RTB		A362	3RTB-T	S365P	S465P-3
TOOTH BASE PIN ONLY	TBP	2			B	B
REPLACEMENT HITCH PLATE END ONLY	RHP		3RHP	3RHP	3RHP	3RHP
REPLACEMENT TRUNION END ONLY	RTE		3RTE	3RTE	3RTE	3RTE
DRAG HITCH SHACKLE	DHS	2	322	322	322	322
HITCH PLATE PIN W/ NUT - THREADED	HPP	2	324	324	324	324
HITCH PLATE PIN NUT ONLY	HPPN		158SN	158SN	158SN	158SN
HITCH PLATE PROTECTOR CUP	HPC	2	C-3	C-3	C-3	C-3
HITCH PLATE EXTENSION W/ PIN AND NUT	HPE	2	32HPE	32HPE	32HPE	32HPE
HITCH PLATE EXTENSION CASTING ONLY	E		32E	32E	32E	32E
HITCH PLATE EXTENSION PIN AND NUT ONLY	HPEP		32P	32P	32P	32P
HITCH PLATE EXTENSION PIN NUT ONLY	HPEN		158SN	158SN	158SN	158SN
TRUNION LINK COMPLETE W/ PINS	TL	2	326N	326N	326N	326N
TRUNION LINK PIN W/ NUT-TOP - THREADED	TTP	2	328N	328N	328N	328N
TRUNION LINK PIN NUT ONLY	TTPN		138SN	138SN	138SN	138SN
TRUNION LINK PIN - BOTTOM	BTP	2	330	330	330	330
SPREADER BAR COMPLETE W/ PINS	SB	1	31232L	31232T	31232H	R432MH
SPREADER BAR PIN W/ NUT - THREADED	SBP	4	34112N	34112N	34158N	34158N
SPREADER BAR PIN NUT ONLY	SBPN		112SN	112SN	158SN	158SN

# 3 1/2 YARD BUCKET CONT

## BUCKET SIZE

[HOME](#)


			TYPE "LS"	TYPE "TS"	TYPE "HS"	TYPE "MH"
SPREADER BAR END CASTING	SBE	2	33112N	33112N	33158N	R33158N
HOOD ANGLE	HA	1	334N	334N	334N	334N
HOOD ANGLE PIN W/ NUT - THREADED	HAP	1	336N	336N	336N	336N
HOOD ANGLE PIN NUT ONLY	HAPN		158SN	158SN	158SN	158SN
ARCH DUMP SOCKET W/ WEDGE	ADS	1	338	338	338	338
ARCH DUMP SOCKET WEDGE ONLY	ADSW	1	340	340	340	340
REPLACEMENT BUCKET BOTTOM COMPLETE	RBBC	1	312BC-L	312BC-T	312BC-H	312BC-MH
REPLACEMENT BUCKET BOTTOM ONLY	RBB	1	312B-L	312B-T	312B-H	312B-MH
REPLACEMENT BOTTOM RUNNER	RR	4	312RR-S	312HSR	T312HSR	T312HSR
REPLACEMENT BOTTOM RUNNER SHOE	S	4			312S	312S
REPLACEMENT STUB RUNNER	SR	3		3SR		
REPLACEMENT INTERMEDIATE RUNNER	ITR	3			T3R	T3R
CORNER WEAR PLATE	CWP	2	3CWPS	312HP	312HP	S412HP
CORNER WEAR PLATE SHOE	HPS	2			312HPS	S412HPS
LIP SHROUD - CURVED SECTION R.H		1		312R-TN	S31285R-H	S485R-MH
LIP SHROUD - CURVED SECTION L.H		1		312L-TN	S31285L-H	S485L-MH
LIP SHROUD - STRAIGHT SECTION		3		312S-TN	S31285S-H	S485S-MH
DUMP BLOCK COMPLETE	DB	1	13DB	13DB	13DB	13DB

# 3 3/4 YARD BUCKET

## BUCKET SIZE

[HOME](#)


PART	SYMBOL	NO. REQ.	TYPE "LS" TYPE "TS" TYPE "HS" TYPE "MH"			
			PART NUMBER	PART NUMBER	PART NUMBER	PART NUMBER
TOOTH POINT W/ KEEPER	TP	4	A444	404HX	366	366
TOOTH POINT BOLT ONLY	TPB	4		A478		
TOOTH POINT WEDGE ONLY	TPW	4	#4		#6	#6
DRAG CHAIN	DC	2	112D24	112D24	158D24	158D24
REPAIR LINK FOR DRAG CHAIN	RL		112RL	112RL	158RL	158RL
END LINK FOR DRAG CHAIN	EL		112EL	122EL	158EL	158EL
HOIST CHAIN - TOP SECTION	HCT	2	114T11L	114T11L	114T11L	114T11L
HOIST CHAIN - BOTTOM SECTION	HCB	2	114B7L	114B7L	114B7L	114B7L
REPAIR LINK FOR HOIST CHAIN	RL		114RL	114RL	114RL	114RL
END LINK FOR HOIST CHAIN	EL		114EL	114EL	114EL	114EL
3-WAY DRAG HITCH COMPLETE	DH	1	A410L	A410L	A410L	A410L
3-WAY DRAG HITCH WEDGE ONLY	DHW	1	A412L	A412L	A412L	A412L
3-WAY DRAG HITCH PIN ONLY	DHP	1	414	414	414	414
DUMP ROPE SOCKET W/ WEDGE	DRS	1	416	416	416	416
DUMP ROPE SOCKET WEDGE ONLY	DRSW	1	440	440	440	440
LIP-ALLOY STEEL W/TOOTH BASES AND TOOTH POINTS	LC	1	W334L134C-16			
LIP MANGANSES STEEL W/ TOOTH BASES AND TOOTH POINTS	LMC	1		334T-LM-16	S33485H	S485MH



# 3 3/4 YARD BUCKET CONT

## BUCKET SIZE

[HOME](#)


			TYPE "LS"	TYPE "TS"	TYPE "HS"	TYPE "MH"
REPLACEMENT TOOTH BASE	RTB		A462	4RTB-T	S465P	S465P
TOOTH BASE PIN ONLY	TBP	2			B	B
REPLACEMENT HITCH PLATE END ONLY	RHP		4RHP	4RHP	4RHP	4RHP
REPLACEMENT TRUNION END ONLY	RTE		4RTE	4RTE	4RTE	4RTE
DRAG HITCHSHACKLE	DHS	2	422	422	422	422
HITCH PLATE PIN W/ NUT - THREADED	HPP	2	424	424	424	424
HITCH PLATE PIN NUT ONLY	HPPN		134SN	134SN	134SN	134SN
HITCH PLATE PROTECTOR CUP	HPC	2	C-4	C-4	C-4	C-4
HITCH PLATE EXTENSION W/ PIN AND NUT	HPE	2	42HPE	42HPE	42HPE	42HPE
HITCH PLATE EXTENSION CASTING ONLY	E		42E	42E	42E	42E
HITCH PLATE EXTENSION PIN AND NUT ONLY	HPEP		42P	42P	42P	42P
HITCH PLATE EXTENSION PIN NUT ONLY	HPEN		134SN	134SN	134SN	134SN
TRUNION LINK COMPLETE W/ PINS	TL	2	426N	426N	426N	426N
TRUNION LINK PIN W/ NUT-TOP - THREADED	TTP	2	428N	428N	428N	428N
TRUNION LINK PIN NUT ONLY	TTPN		112SN	112SN	112SN	112SN
TRUNION LINKPIN - BOTTOM	BTP	2	430	430	430	430
SPREADER BAR COMPLETE W/ PINS	SB	1	33432L	33432T	33432H	R432MH
SPREADER BAR PIN W/ NUT - THREADED	SBP	4	34158N	34158N	34158N	34158N
SPREADER BAR PIN NUT ONLY	SBPN		158SN	158SN	158SN	158SN

# 3 3/4 YARD BUCKET CONT

## BUCKET SIZE

[HOME](#)


			TYPE "LS"	TYPE "TS"	TYPE "HS"	TYPE "MH"
SPREADER BAR END CASTING	SBE	2	33158N	33158N	33158N	R33158N
HOOD ANGLE	HA	1	434N	434N	434N	434N
HOOD ANGLE PIN W/ NUT - THREADED	HAP	1	436N	436N	436N	436N
HOOD ANGLE PIN NUT ONLY	HAPN		134SN	134SN	134SN	134SN
ARCH DUMP SOCKET W/ WEDGE	ADS	1	438	438	438	438
ARCH DUMP SOCKET WEDGE ONLY	ADSW	1	440	440	440	440
REPLACEMENT BUCKET BOTTOM COMPLETE	RBBC	1	334BC-L-16	334BC-T-16	334BC-H-16	334BC-MH
REPLACEMENT BUCKET BOTTOM ONLY	RBB	1	334B-L-16	334B-T-16	334B-H-16	334B-MH
REPLACEMENT BOTTOM RUNNER	RR	4	334RR-S	412HSR	T412HSR	T412HSR
REPLACEMENT BOTTOM RUNNER SHOE	S	4			412S	412S
REPLACEMENT STUB RUNNER	SR	3		3SR		
REPLACEMENT INTERMEDIATE RUNNER	ITR	3			T4R	T4R
CORNER WEARPLATE	CWP	2	4CWPS	412HP	412HP	S412HP
CORNER WEAR PLATE SHOE	HPS	2			412HPS	S412HPS
LIP SHROUD - CURVED SECTION R.H		1		4R-TN	S485R-H	S485R-MH
LIP SHROUD - CURVED SECTION L.H		1		4L-TN	S485L-H	S485L-MH
LIP SHROUD - STRAIGHT SECTION		3		4S-TN	S485S-H	S485S-MH
DUMP BLOCK COMPLETE	DB	1	16-178DB	16-178DB	16-178DB	16-178DB

# 4 YARD BUCKET

## BUCKET SIZE

[HOME](#)


			TYPE "LS"	TYPE "TS"	TYPE "HS"	TYPE "MH"
PART	SYMBOL	NO. REQ.	PART NUMBER	PART NUMBER	PART NUMBER	PART NUMBER
TOOTH POINT W/ KEEPER	TP	4	A444	404HX	466	466
TOOTH POINT BOLT ONLY	TPB	4		A478		
TOOTH POINT WEDGE ONLY	TPW	4	#4		#6	#6
DRAG CHAIN	DC	2	112D24	112D24	158D24	158D24
REPAIR LINK FOR DRAG CHAIN	RL		112RL	112RL	158RL	158RL
END LINK FOR DRAG CHAIN	EL		112EL	122EL	158EL	158EL
HOIST CHAIN - TOP SECTION	HCT	2	114T11L	114T11L	114T11L	114T11L
HOIST CHAIN - BOTTOM SECTION	HCB	2	114B7L	114B7L	114B7L	114B7L
REPAIR LINK FOR HOIST CHAIN	RL		114RL	114RL	114RL	114RL
END LINK FOR HOIST CHAIN	EL		114EL	114EL	114EL	114EL
3-WAY DRAG HITCH COMPLETE	DH	1	A410L	A410L	A410L	A410L
3-WAY DRAG HITCH WEDGE ONLY	DHW	1	A412L	A412L	A412L	A412L
3-WAY DRAG HITCH PIN ONLY	DHP	1	414	414	414	414
DUMP ROPE SOCKET W/ WEDGE	DRS	1	416	416	416	416
DUMP ROPE SOCKET WEDGE ONLY	DRSW	1	440	440	440	440
LIP-ALLOY STEEL W/TOOTH BASES AND TOOTH POINTS	LC	1	W4L134C-16			
LIP MANGANSES STEEL W/ TOOTH BASES AND TOOTH POINTS	LMC	1		4T-LM-16	S485H	S485MH

# 4 YARD BUCKET CONT

## BUCKET SIZE

[HOME](#)


			TYPE "LS"	TYPE "TS"	TYPE "HS"	TYPE "MH"
REPLACEMENT TOOTH BASE	RTB		A462	4RTB-T	S465P	S465P
TOOTH BASE PIN ONLY	TBP	2			B	B
REPLACEMENT HITCH PLATE END ONLY	RHP		4RHP	4RHP	4RHP	4RHP
REPLACEMENT TRUNION END ONLY	RTE		4RTE	4RTE	4RTE	4RTE
DRAG HITCH SHACKLE	DHS	2	422	422	422	422
HITCH PLATE PIN W/ NUT - THREADED	HPP	2	424	424	424	424
HITCH PLATE PIN NUT ONLY	HPPN		134SN	134SN	134SN	134SN
HITCH PLATE PROTECTOR CUP	HPC	2	C-4	C-4	C-4	C-4
HITCH PLATE EXTENSION W/ PIN AND NUT	HPE	2	42HPE	42HPE	42HPE	42HPE
HITCH PLATE EXTENSION CASTING ONLY	E		42E	42E	42E	42E
HITCH PLATE EXTENSION PIN AND NUT ONLY	HPEP		42P	42P	42P	42P
HITCH PLATE EXTENSION PIN NUT ONLY	HPEN		134SN	134SN	134SN	134SN
TRUNION LINK COMPLETE W/ PINS	TL	2	426N	426N	426N	426N
TRUNION LINK PIN W/ NUT-TOP - THREADED	TTP	2	428N	428N	428N	428N
TRUNION LINK PIN NUT ONLY	TTPN		112SN	112SN	112SN	112SN
TRUNION LINK PIN - BOTTOM	BTP	2	430	430	430	430
SPREADER BAR COMPLETE W/ PINS	SB	1	432L	432T	432H	R432MH
SPREADER BAR PIN W/ NUT - THREADED	SBP	4	34158N	34158N	34158N	34158N
SPREADER BAR PIN NUT ONLY	SBPN		158SN	158SN	158SN	158SN

# 4 YARD BUCKET CONT

## BUCKET SIZE

[HOME](#)


			TYPE "LS"	TYPE "TS"	TYPE "HS"	TYPE "MH"
SPREADER BAR END CASTING	SBE	2	33158N	33158N	33158N	R33158N
HOOD ANGLE	HA	1	434N	434N	434N	434N
HOOD ANGLE PIN W/ NUT - THREADED	HAP	1	436N	436N	436N	436N
HOOD ANGLE PIN NUT ONLY	HAPN		134SN	134SN	134SN	134SN
ARCH DUMP SOCKET W/ WEDGE	ADS	1	438	438	438	438
ARCH DUMP SOCKET WEDGE ONLY	ADSW	1	440	440	440	440
REPLACEMENT BUCKET BOTTOM COMPLETE	RBBC	1	4BC-L-16	4BC-T-16	4BC-H-16	4BC-MH
REPLACEMENT BUCKET BOTTOM ONLY	RBB	1	4B-L-16	4B-T-16	4B-H-16	4B-MH
REPLACEMENT BOTTOM RUNNER	RR	4	4RR-S	412HSR	T412HSR	T412HSR
REPLACEMENT BOTTOM RUNNER SHOE	S	4			412S	412S
REPLACEMENT STUB RUNNER	SR	3		3SR		
REPLACEMENT INTERMEDIATE RUNNER	ITR	3			T4R	T4R
CORNER WEAR PLATE	CWP	2	4CWPS	412HP	412HP	S412HP
CORNER WEAR PLATE SHOE	HPS	2			412HPS	S412HPS
LIP SHROUD - CURVED SECTION R.H		1		4R-TN	S485R-H	S485R-MH
LIP SHROUD - CURVED SECTION L.H		1		4L-TN	S485L-H	S485L-MH
LIP SHROUD - STRAIGHT SECTION		3		4S-TN	S485S-H	S485S-MH
DUMP BLOCK COMPLETE	DB	1	16-178DB	16-178DB	16-178DB	16-178DB



# 4 1/2 YARD BUCKET CONT

## BUCKET SIZE

[HOME](#)


			TYPE "LS"	TYPE "TS"	TYPE "HS"	TYPE "MH"	"MH" NARROW
REPLACEMENT TOOTH BASE	RTB		A462	4RTB-T	S465P	S665P	S665P
TOOTH BASE PIN ONLY	TBP	2			B	C	C
REPLACEMENT HITCH PLATE END ONLY	RHP		4RHP	4RHP	4RHP	6RHP	6RHP
REPLACEMENT TRUNION END ONLY	RTE		4RTE	4RTE	4RTE	6RTE	6RTE
DRAG HITCH SHACKLE	DHS	2	422	422	422	622	622
HITCH PLATE PIN W/ NUT - THREADED	HPP	2	424	424	424	624	624
HITCH PLATE PIN NUT ONLY	HPPN		134SN	134SN	134SN	2SN	2SN
HITCH PLATE PROTECTOR CUP	HPC	2	C-4	C-4	C-4	C-6	C-6
HITCH PLATE EXTENSION W/ PIN AND NUT	HPE	2	42HPE	42HPE	42HPE	62HPE	62HPE
HITCH PLATE EXTENSION CASTING ONLY	E		42E	42E	42E	62E	62E
HITCH PLATE EXTENSION PIN AND NUT ONLY	HPEP		42P	42P	42P	62P	62P
HITCH PLATE EXTENSION PIN NUT ONLY	HPEN		134SN	134SN	134SN	2SN	2SN
TRUNION LINK COMPLETE W/ PINS	TL	2	426N	426N	426N	626N	626N
TRUNION LINK PIN W/ NUT-TOP - THREADED	TTP	2	428N	428N	428N	628N	628N
TRUNION LINK PIN NUT ONLY	TTPN		112SN	112SN	112SN	134SN	134SN
TRUNION LINK PIN - BOTTOM	BTP	2	430	430	430	630	630
SPREADER BAR COMPLETE W/ PINS	SB	1	41232L	41232T	41232H	R41232MH	R41232M H-65
SPREADER BAR PIN W/ NUT - THREADED	SBP	4	34158N	34158N	34158N	34134N	34134N
SPREADER BAR PIN NUT ONLY	SBPN		158SN	158SN	158SN	134SN	134SN

# 4 1/2 YARD BUCKET CONT

## BUCKET SIZE

[HOME](#)


			TYPE "LS"	TYPE "TS"	TYPE "HS"	TYPE "MH"	"MH" NARROW
SPREADER BAR END CASTING	SBE	2	33158N	33158N	33158N	R33134N	R33134N
HOOD ANGLE	HA	1	434N	434N	434N	734N	734N
HOOD ANGLE PIN W/ NUT - THREADED	HAP	1	436N	436N	436N	736N	736N
HOOD ANGLE PIN NUT ONLY	HAPN		134SN	134SN	134SN	134SN	134SN
ARCH DUMP SOCKET W/ WEDGE	ADS	1	438	438	438		
ARCH DUMP SOCKET W/ WEDGE (UNIVERSAL TYPE)	ADSU	1				738X	738X
ARCH DUMP SOCKET WEDGE ONLY	ADSW	1	440	440	440	740W	740W
ARCH UNIVERSAL JOINT	AU	1				7AU	7AU
ARCH UNIVERSAL PIN AND NUT (SAME AS HOOD ANGLE PIN AND NUT)	HAP	1				736N	736N
REPLACEMENT BUCKET BOTTOM COMPLETE	RBBC	1	412BC-L	412BC-T	412BC-H	412BC-MH	412BC-MH-N
REPLACEMENT BUCKET BOTTOM ONLY	RBB	1	412B-L	412B-T	412B-H	412B-MH	412B-MH-N
REPLACEMENT BOTTOM RUNNER	RR		412RR-S (4)	412HSR (4)	T412HSR (4)	T612HSR (5)	T612HSR (5)
REPLACEMENT BOTTOM RUNNER SHOE	S				412S (4)	612S (5)	612S (5)
REPLACEMENT STUB RUNNER	SR	3		3SR			
REPLACEMENT INTERMEDIATE RUNNER	ITR	3			T4R		
CORNER WEAR PLATE	CWP	2	4CWPS	412HP	412HP	6412HP	6412HP
CORNER WEAR PLATE SHOE	HPS	2			412HPS	S612HPS	S612HPS
LIP SHROUD - CURVED SECTION R.H		1		412R-TN	S41285R-H	S41285R-MH	S685R-MH
LIP SHROUD - CURVED SECTION L.H		1		412L-TN	S41285L-H	S41285L-MH	S685L-MH
LIP SHROUD - STRAIGHT SECTION		3		412S-TN	S41285S-H	S41285S-MH	S685S-MH-65
DUMP BLOCK COMPLETE	DB	1	16-178DB	16-178DB	16-178DB	U20DB	U20DB



# 5 YARD BUCKET

## BUCKET SIZE

[HOME](#)


PART	SYMBOL	NO. REQ.	TYPE	TYPE	TYPE	TYPE	"MH"
			"LS"	"TS"	"HS"	"MH"	SPEC. NARROW
TOOTH POINT W/ KEEPER	TP		A604 (4)	A604HX (5)	667 (5)	667 (5)	667 (5)
TOOTH POINT BOLT ONLY	TPB		A478 (4)	A478 (5)			
TOOTH POINT WEDGE ONLY	TPW	5			#7	#7	#7
DRAG CHAIN	DC	2	158D26	158D26	134D26	134D28	134D28
REPAIR LINK FOR DRAG CHAIN	RL		158RL	158RL	134RL	134RL	134RL
END LINK FOR DRAG CHAIN	EL		158EL	158EL	134EL	134EL	134EL
HOIST CHAIN - TOP SECTION	HCT	2	138T11	138T11	138T11	138T13	138T13
HOIST CHAIN - BOTTOM SECTION	HCB	2	138B7	138B7	138B7	138B7	138B7
REPAIR LINK FOR HOIST CHAIN	RL		138RL	138RL	138RL	138RL	138RL
END LINK FOR HOIST CHAIN	EL		138EL	138EL	138EL	138EL	138EL
3-WAY DRAG HITCH COMPLETE	DH	1	A610L	A610L	A610L	A610L	A610L
3-WAY DRAG HITCH WEDGE ONLY	DHW	1	A612L	A612L	A612L	A612L	A612L
3-WAY DRAG HITCH PIN ONLY	DHP	1	614	614	614	614	614
DUMP ROPE SOCKET W/ WEDGE	DRS	1	616	616	616	616	616
DUMP ROPE SOCKET WEDGE ONLY	DRSW	1	740W	740W	740W	740W	740W
LIP-ALLOY STEEL W/TOOTH BASES AND TOOTH POINTS	LC	1	5L2C				

# 5 YARD BUCKET CONT

## BUCKET SIZE

[HOME](#)


			TYPE "LS"	TYPE "TS"	TYPE "HS"	TYPE "MH"	"MH" SPEC. NARROW
LIP MANGANESE STEEL W/TOOTH BASES AND TOOTH POINTS	LMC			S5T-LM	S585H	S585MH	S685MH-65
REPLACEMENT TOOTH BASE	RTB		602	6RTB-T	S665P	S665P	S665P
TOOTH BASE PIN ONLY	TBP	2			C	C	C
REPLACEMENT HITCH PLATE END ONLY	RHP		6RHP	6RHP	6RHP	6RHP	6RHP
REPLACEMENT TRUNION END ONLY	RTE		6RTE	6RTE	6RTE	6RTE	6RTE
DRAG HITCH SHACKLE	DHS	2	622	622	622	622	622
HITCH PLATE PIN W/ NUT - THREADED	HPP	2	624	624	624	624	624
HITCH PLATE PIN NUT ONLY	HPPN		2SN	2SN	2SN	2SN	2SN
HITCH PLATE PROTECTOR CUP	HPC	2	C-6	C-6	C-6	C-6	C-6
HITCH PLATE EXTENSION W/ PIN AND NUT	HPE	2	62HPE	62HPE	62HPE	62HPE	62HPE
HITCH PLATE EXTENSION CASTING ONLY	E		62E	62E	62E	62E	62E
HITCH PLATE EXTENSION PIN AND NUT ONLY	HPEP		62P	62P	62P	62P	62P
HITCH PLATE EXTENSION PIN NUT ONLY	HPEN		2SN	2SN	2SN	2SN	2SN
TRUNION LINK COMPLETE W/ PINS	TL	2	626N	626N	626N	626N	626N
TRUNION LINK PIN W/ NUT-TOP - THREADED	TTP	2	628N	628N	628N	628N	628N
TRUNION LINK PIN NUT ONLY	TTPN		134SN	134SN	134SN	134SN	134SN
TRUNION LINK PIN - BOTTOM	BTP	2	630	630	630	630	630
SPREADER BAR COMPLETE W/ PINS	SB	1	532L	532T	R532H	R532MH	R532MH-65
SPREADER BAR PIN W/ NUT - THREADED	SBP	4	34134N	34134N	34134N	34134N	34134N
SPREADER BAR PIN NUT ONLY	SBPN		134SN	134SN	134SN	134SN	134SN
SPREADER BAR END CASTING	SBE	2	33134N	33134N	R33134N	R33134N	R33134N

# 5 YARD BUCKET CONT

## BUCKET SIZE

[HOME](#)


			TYPE "LS"	TYPE "TS"	TYPE "HS"	TYPE "MH"	"MH" SPEC. NARROW
HOOD ANGLE	HA	1	734N	734N	734N	734N	734N
HOOD ANGLE PIN W/ NUT - THREADED	HAP	1	736N	736N	736N	736N	736N
HOOD ANGLE PIN NUT ONLY	HAPN		134SN	134SN	134SN	134SN	134SN
ARCH DUMP SOCKET W/ WEDGE (UNIVERSAL TYPE)	ADSU	1	738X	738X	738X	738X	738X
ARCH DUMP SOCKET WEDGE ONLY	ADSW	1	740W	740W	740W	740W	740W
ARCH UNIVERSAL JOINT	AU	1	7AU	7AU	7AU	7AU	7AU
ARCH UNIVERSAL PIN AND NUT (SAME AS HOOD ANGLE PIN AND NUT)	HAP	1	736N	736N	736N	736N	736N
REPLACEMENT BUCKET BOTTOM COMPLETE	RBBC	1	5BC-L	5BC-T	5BC-H	5BC-MH	5BC-MH-N
REPLACEMENT BUCKET BOTTOM ONLY	RBB	1	5B-L	5B-T	5B-H	5B-MH	5B-MH-N
REPLACEMENT BOTTOM RUNNER	RR		5RR-S (4)	612HSR (5)	T612HSR (5)	T612HSR (5)	T612HSR (5)
REPLACEMENT BOTTOM RUNNER SHOE	S	5			612S	612S	612S
CORNER WEAR PLATE	CWP	2	5CWPS	612HP	612HP	S612HP	S612HP
CORNER WEAR PLATE SHOE	HPS	2			612HPS	S612HPS	S612HPS
LIP SHROUD - CURVED SECTION R.H		1		S5R-TN	S585R-H	S585R-MH	S585R-MH
LIP SHROUD - CURVED SECTION L.H		1		S5L-TN	S585L-H	S585L-MH	S585L-MH
LIP SHROUD - STRAIGHT SECTION		4		S5S-TN	S585S-H	S585S-MH	S585S-MH-65
DUMP BLOCK COMPLETE	DB	1	U20DB	U20DB	U20DB	U20DB	U20DB

# 5 1/2 YARD BUCKET

## BUCKET SIZE

[HOME](#)


PART	SYMBOL	NO. REQ.	TYPE	TYPE	TYPE	TYPE	“MH”
			“LS”	“TS”	“HS”	“MH”	SPEC. NARROW
PART	SYMBOL	NO. REQ.	PART NUMBER	PART NUMBER	PART NUMBER	PART NUMBER	PART NUMBER
TOOTH POINT W/ KEEPER	TP		A604 (4)	A604HX (5)	667 (5)	667 (5)	667 (5)
TOOTH POINT BOLT ONLY	TPB		A478 (4)	A478 (5)			
TOOTH POINT WEDGE ONLY	TPW	5			#7	#7	#7
DRAG CHAIN	DC	2	158D26	158D26	134D26	134D30	134D30
REPAIR LINK FOR DRAG CHAIN	RL		158RL	158RL	134RL	134RL	134RL
END LINK FOR DRAG CHAIN	EL		158EL	158EL	134EL	134EL	134EL
HOIST CHAIN - TOP SECTION	HCT	2	138T11	138T11	138T11	138T13	138T13
HOIST CHAIN - BOTTOM SECTION	HCB	2	138B7	138B7	138B7	138B7	138B7
REPAIR LINK FOR HOIST CHAIN	RL		138RL	138RL	138RL	138RL	138RL
END LINK FOR HOIST CHAIN	EL		138EL	138EL	138EL	138EL	138EL
3-WAY DRAG HITCH COMPLETE	DH	1	A610L	A610L	A610L	A610L	A610L
3-WAY DRAG HITCH WEDGE ONLY	DHW	1	A612L	A612L	A612L	A612L	A612L
3-WAY DRAG HITCH PIN ONLY	DHP	1	614	614	614	614	614
DUMP ROPE SOCKET W/ WEDGE	DRS	1	616	616	616	616	616
DUMP ROPE SOCKET WEDGE ONLY	DRSW	1	740W	740W	740W	740W	740W
LIP-ALLOY STEEL W/TOOTH BASES AND TOOTH POINTS	LC	1	512L2C				
LIP MANGANSES STEEL W/ TOOTH BASES AND TOOTH POINTS	LMC	1		S512T-LM	S51285H	S51285MH	S51285MH-65

# 5 1/2 YARD BUCKET CONT

## BUCKET SIZE

[HOME](#)


			TYPE "LS"	TYPE "TS"	TYPE "HS"	TYPE "MH"	"MH" SPEC. NARROW
REPLACEMENT TOOTH BASE	RTB		602	6RTB-T	S665P	S665P	S665P
TOOTH BASE PIN ONLY	TBP	2			C	C	C
REPLACEMENT HITCH PLATE END ONLY	RHP		6RHP	6RHP	6RHP	6RHP	6RHP
REPLACEMENT TRUNION END ONLY	RTE		6RTE	6RTE	6RTE	6RTE	6RTE
DRAG HITCH SHACKLE	DHS	2	622	622	622	622	622
HITCH PLATE PIN W/ NUT - THREADED	HPP	2	624	624	624	624	624
HITCH PLATE PIN NUT ONLY	HPPN		2SN	2SN	2SN	2SN	2SN
HITCH PLATE PROTECTOR CUP	HPC	2	C-6	C-6	C-6	C-6	C-6
HITCH PLATE EXTENSION W/ PIN AND NUT	HPE	2	62HPE	62HPE	62HPE	62HPE	62HPE
HITCH PLATE EXTENSION CASTING ONLY	E		62E	62E	62E	62E	62E
HITCH PLATE EXTENSION PIN AND NUT ONLY	HPEP		62P	62P	62P	62P	62P
HITCH PLATE EXTENSION PIN NUT ONLY	HPEN		2SN	2SN	2SN	2SN	2SN
TRUNION LINK COMPLETE W/ PINS	TL	2	626N	626N	626N	626N	626N
TRUNION LINK PIN W/ NUT-TOP - THREADED	TTP	2	628N	628N	628N	628N	628N
TRUNION LINK PIN NUT ONLY	TTPN		134SN	134SN	134SN	134SN	134SN
TRUNION LINK PIN - BOTTOM	BTP	2	630	630	630	630	630
SPREADER BAR COMPLETE W/ PINS	SB	1	51232L	51232T	R51232H	R51232MH	R632MH-65
SPREADER BAR PIN W/ NUT - THREADED	SBP	4	34134N	34134N	34134N	34134N	34134N
SPREADER BAR PIN NUT ONLY	SBPN		134SN	134SN	134SN	134SN	134SN
SPREADER BAR END CASTING	SBE	2	33134N	33134N	R33134N	R33134N	R33134N

# 5 1/2 YARD BUCKET CONT

## BUCKET SIZE

[HOME](#)


			TYPE "LS"	TYPE "TS"	TYPE "HS"	TYPE "MH"	"MH" SPEC. NARROW
SPREADER BAR PIN NUT ONLY	SBPN		134SN	134SN	134SN	134SN	134SN
SPREADER BAR END CASTING	SBE	2	33134N	33134N	R33134N	R33134N	R33134N
HOOD ANGLE	HA	1	734N	734N	734N	734N	734N
HOOD ANGLE PIN W/ NUT - THREADED	HAP	1	736N	736N	736N	736N	736N
HOOD ANGLE PIN NUT ONLY	HAPN		134SN	134SN	134SN	134SN	134SN
ARCH DUMP SOCKET W/ WEDGE (UNIVERSAL TYPE)	ADSU	1	738X	738X	738X	738X	738X
ARCH DUMP SOCKET WEDGE ONLY	ADSW	1	740W	740W	740W	740W	740W
ARCH UNIVERSAL JOINT	AU	1	7AU	7AU	7AU	7AU	7AU
ARCH UNIVERSAL PIN AND NUT (SAME AS HOOD ANGLE PIN AND NUT)	HAP	1	736N	736N	736N	736N	736N
REPLACEMENT BUCKET BOTTOM COMPLETE	RBBC	1	512BC-L	512BC-T	512BC-H	512BC-MH	512BC-MH-N
REPLACEMENT BUCKET BOTTOM ONLY	RBB	1	512B-L	512B-T	512B-H	512B-MH	512B-MH-N
REPLACEMENT BOTTOM RUNNER	RR		512RR-S (4)	612HSR (5)	T612HSR (5)	T612HSR (5)	T612HSR (5)
REPLACEMENT BOTTOM RUNNER SHOE	S	5			612S	612S	612S
CORNER WEAR PLATE	CWP	2	512CWPS	612HP	612HP	S612HP	S612HP
CORNER WEAR PLATE SHOE	HPS	2			612HPS	S612HPS	S612HPS
LIP SHROUD - CURVED SECTION R.H		1		S5125R-TN	S51285R-H	S51285R-MH	S685R-MH
LIP SHROUD - CURVED SECTION L.H		1		S512L-TN	S51285L-H	S51285L-MH	S685L-MH
LIP SHROUD - STRAIGHT SECTION		4		S512S-TN	S51285S-H	S51285S-MH	S685S-MH-65
DUMP BLOCK COMPLETE	DB	1	U20DB	U20DB	U20DB	U20DB	U20DB

# 6 YARD BUCKET

## BUCKET SIZE

[HOME](#)


PART	SYMBOL	NO. REQ.	TYPE	TYPE	TYPE	TYPE	“MH”
			“LS”	“TS”	“HS”	“MH”	SPEC. NARROW
PART	SYMBOL	NO. REQ.	PART NUMBER	PART NUMBER	PART NUMBER	PART NUMBER	PART NUMBER
TOOTH POINT W/ KEEPER	TP		A604 (4)	604HX (5)	667 (5)	667 (5)	667 (5)
TOOTH POINT BOLT ONLY	TPB		A478 (4)	A478 (5)			
TOOTH POINT WEDGE ONLY	TPW	5			#7	#7	#7
DRAG CHAIN	DC	2	158D26	158D26	134D26	134D30	134D30
REPAIR LINK FOR DRAG CHAIN	RL		158RL	158RL	134RL	134RL	134RL
END LINK FOR DRAG CHAIN	EL		158EL	158EL	134EL	134EL	134EL
HOIST CHAIN - TOP SECTION	HCT	2	138T11	138T11	138T11	138T13	138T13
HOIST CHAIN - BOTTOM SECTION	HCB	2	138B7	138B7	138B7	138B7	138B7
REPAIR LINK FOR HOIST CHAIN	RL		138RL	138RL	138RL	138RL	138RL
END LINK FOR HOIST CHAIN	EL		138EL	138EL	138EL	138EL	138EL
3-WAY DRAG HITCH COMPLETE	DH	1	A610L	A610L	A610L	A610L	A610L
3-WAY DRAG HITCH WEDGE ONLY	DHW	1	A612L	A612L	A612L	A612L	A612L
3-WAY DRAG HITCH PIN ONLY	DHP	1	614	614	614	614	614
DUMP ROPE SOCKET W/ WEDGE	DRS	1	616	616	616	616	616
DUMP ROPE SOCKET WEDGE ONLY	DRSW	1	740W	740W	740W	740W	740W
LIP-ALLOY STEEL W/TOOTH BASES AND TOOTH POINTS	LC	1	6L2C				
LIP MANGANSES STEEL W/ TOOTH BASES AND TOOTH POINTS	LMC	1		S6T-LM	S685H	S685MH	S685MH-65

# 6 YARD BUCKET CONT

## BUCKET SIZE

[HOME](#)


			TYPE "LS"	TYPE "TS"	TYPE "HS"	TYPE "MH"	"MH" SPEC. NARROW
REPLACEMENT TOOTH BASE	RTB		602	6RTB-T	S665P	S665P	S665P
TOOTH BASE PIN ONLY	TBP	2			C	C	C
REPLACEMENT HITCH PLATE END ONLY	RHP		6RHP	6RHP	6RHP	6RHP	6RHP
REPLACEMENT TRUNION END ONLY	RTE		6RTE	6RTE	6RTE	6RTE	6RTE
DRAG HITCH SHACKLE	DHS	2	622	622	622	622	622
HITCH PLATE PIN W/ NUT - THREADED	HPP	2	624	624	624	624	624
HITCH PLATE PIN NUT ONLY	HPPN		2SN	2SN	2SN	2SN	2SN
HITCH PLATE PROTECTOR CUP	HPC	2	C-6	C-6	C-6	C-6	C-6
HITCH PLATE EXTENSION W/ PIN AND NUT	HPE	2	62HPE	62HPE	62HPE	62HPE	62HPE
HITCH PLATE EXTENSION CASTING ONLY	E		62E	62E	62E	62E	62E
HITCH PLATE EXTENSION PIN AND NUT ONLY	HPEP		62P	62P	62P	62P	62P
HITCH PLATE EXTENSION PIN NUT ONLY	HPEN		2SN	2SN	2SN	2SN	2SN
TRUNION LINK COMPLETE W/ PINS	TL	2	626N	626N	626N	626N	626N
TRUNION LINK PIN W/ NUT-TOP - THREADED	TTP	2	628N	628N	628N	628N	628N
TRUNION LINK PIN NUT ONLY	TTPN		134SN	134SN	134SN	134SN	134SN
TRUNION LINK PIN - BOTTOM	BTP	2	630	630	630	630	630
SPREADER BAR COMPLETE W/ PINS	SB	1	632L	632T	R632H	R632MH	R632MH-65
SPREADER BAR PIN W/ NUT - THREADED	SBP	4	34134N	34134N	34134N	34134N	34134N
SPREADER BAR PIN NUT ONLY	SBPN		134SN	134SN	134SN	134SN	134SN
SPREADER BAR END CASTING	SBE	2	33134N	33134N	R33134N	R33134N	R33134N



# 6 YARD BUCKET CONT

## BUCKET SIZE

[HOME](#)


			TYPE "LS"	TYPE "TS"	TYPE "HS"	TYPE "MH"	"MH" SPEC. NARROW
HOOD ANGLE	HA	1	734N	734N	734N	734N	734N
HOOD ANGLE PIN W/ NUT - THREADED	HAP	1	736N	736N	736N	736N	736N
HOOD ANGLE PIN NUT ONLY	HAPN		134SN	134SN	134SN	134SN	134SN
ARCH DUMP SOCKET W/ WEDGE (UNIVERSAL TYPE)	ADSU	1	738X	738X	738X	738X	738X
ARCH DUMP SOCKET WEDGE ONLY	ADSW	1	740W	740W	740W	740W	740W
ARCH UNIVERSAL JOINT	AU	1	7AU	7AU	7AU	7AU	7AU
ARCH UNIVERSAL PIN AND NUT (SAME AS HOOD ANGLE PIN AND NUT)	HAP	1	736N	736N	736N	736N	736N
REPLACEMENT BUCKET BOTTOM COMPLETE	RBBC	1	6BC-L	6BC-T	6BC-H	6BC-MH	6BC-MH-N
REPLACEMENT BUCKET BOTTOM ONLY	RBB	1	6B-L	6B-T	6B-H	6B-MH	6B-MH-N
REPLACEMENT BOTTOM RUNNER	RR		6RR-S (4)	612HSR (5)	T612HSR (5)	T612HSR (5)	T612HSR (5)
REPLACEMENT BOTTOM RUNNER SHOE	S	5			612S	612S	612S
CORNER WEAR PLATE	CWP	2	6CWPS	612HP	612HP	S612HP	S612HP
CORNER WEAR PLATE SHOE	HPS	2			612HPS	S612HPS	S612HPS
LIP SHROUD - CURVED SECTION R.H		1		S6R-TN	S685R-H	S685R-MH	S685R-MH
LIP SHROUD - CURVED SECTION L.H		1		S6L-TN	S685L-H	S685L-MH	S685L-MH
LIP SHROUD - STRAIGHT SECTION		4		S6S-TN	S685S-H	S685S-MH	S685S-MH- 65
DUMP BLOCK COMPLETE	DB	1	U20DB	U20DB	U20DB	U20DB	U20DB

# 6 1/2 YARD BUCKET

## BUCKET SIZE

[HOME](#)


PART	SYMBOL	NO. REQ.	TYPE	TYPE	TYPE	TYPE	“MH”
			“LS”	“TS”	“HS”	“MH”	SPEC. NARROW
			PART NUMBER	PART NUMBER	PART NUMBER	PART NUMBER	PART NUMBER
TOOTH POINT W/ KEEPER	TP		A604 (4)	604HX (5)	667 (5)	867 (5)	867 (5)
TOOTH POINT BOLT ONLY	TPB		A478 (4)	A478 (5)			
TOOTH POINT WEDGE ONLY	TPW	5			#7	#7	#7
DRAG CHAIN	DC	2	158D26	158D26	134D26	2D28	2D28
REPAIR LINK FOR DRAG CHAIN	RL		158RL	158RL	134RL	2RL	2RL
END LINK FOR DRAG CHAIN	EL		158EL	158EL	134EL	2EL	2EL
HOIST CHAIN - TOP SECTION	HCT	2	138T11	138T11	138T11	112T13	112T13
HOIST CHAIN - BOTTOM SECTION	HCB	2	138B7	138B7	138B7	112B7	112B7
REPAIR LINK FOR HOIST CHAIN	RL		138RL	138RL	138RL	112RL	112RL
END LINK FOR HOIST CHAIN	EL		138EL	138EL	138EL	112EL	112EL
3-WAY DRAG HITCH COMPLETE	DH	1	A610L	A610L	A610L	A710L	A710L
3-WAY DRAG HITCH WEDGE ONLY	DHW	1	A612L	A612L	A612L	A712L	A712L
3-WAY DRAG HITCH PIN ONLY	DHP	1	614	614	614	714	714
DUMP ROPE SOCKET W/ WEDGE	DRS	1	616	616	616	716	716
DUMP ROPE SOCKET WEDGE ONLY	DRSW	1	740W	740W	740W	740	740
LIP-ALLOY STEEL W/TOOTH BASES AND TOOTH POINTS	LC	1	612L214C				
LIP MANGANSES STEEL W/ TOOTH BASES AND TOOTH POINTS	LMC	1		S612T-LM	S61285H	S61285MH	S785MH-70

# 6 1/2 YARD BUCKET CONT

## BUCKET SIZE

[HOME](#)


			TYPE "LS"	TYPE "TS"	TYPE "HS"	TYPE "MH"	"MH" SPEC. NARROW
REPLACEMENT TOOTH BASE	RTB		602	6RTB-T	S665P	S865P	S865P
TOOTH BASE PIN ONLY	TBP	2			C	C	C
REPLACEMENT HITCH PLATE END ONLY	RHP		6RHP	6RHP	6RHP	8RHP	8RHP
REPLACEMENT TRUNION END ONLY	RTE		6RTE	6RTE	6RTE	8RTE	8RTE
DRAG HITCH SHACKLE	DHS	2	622	622	622	822	822
HITCH PLATE PIN W/ NUT - THREADED	HPP	2	624	624	624	824	824
HITCH PLATE PIN NUT ONLY	HPPN		2SN	2SN	2SN	214SN	214SN
HITCH PLATE PROTECTOR CUP	HPC	2	C-6	C-6	C-6	C-8	C-8
HITCH PLATE EXTENSION W/ PIN AND NUT	HPE	2	62HPE	62HPE	62HPE	82HPE	82HPE
HITCH PLATE EXTENSION CASTING ONLY	E		62E	62E	62E	82E	82E
HITCH PLATE EXTENSION PIN AND NUT ONLY	HPEP		62P	62P	62P	82P	82P
HITCH PLATE EXTENSION PIN NUT ONLY	HPEN		2SN	2SN	2SN	214SN	214SN
TRUNION LINK COMPLETE W/ PINS	TL	2	626N	626N	626N	826N	826N
TRUNION LINK PIN W/ NUT-TOP - THREADED	TTP	2	628N	628N	628N	828N	828N
TRUNION LINK PIN NUT ONLY	TTPN		134SN	134SN	134SN	134SN	134SN
TRUNION LINK PIN - BOTTOM	BTP	2	630	630	630	830	830
SPREADER BAR COMPLETE W/ PINS	SB	1	61232L	61232T	R61232H	R61232MH	R732MH-70
SPREADER BAR PIN W/ NUT - THREADED	SBP	4	34134N	34134N	34134N	34134N	34134N
SPREADER BAR PIN NUT ONLY	SBPN		134SN	134SN	134SN	134SN	134SN
SPREADER BAR END CASTING	SBE	2	33134N	33134N	R33134N	R33134N	R33134N

# 6 1/2 YARD BUCKET CONT

## BUCKET SIZE

[HOME](#)


			TYPE "LS"	TYPE "TS"	TYPE "HS"	TYPE "MH"	"MH" SPEC. NARROW
HOOD ANGLE	HA	1	734N	734N	734N	734N	734N
HOOD ANGLE PIN W/ NUT - THREADED	HAP	1	736N	736N	736N	736N	736N
HOOD ANGLE PIN NUT ONLY	HAPN		134SN	134SN	134SN	134SN	134SN
ARCH DUMP SOCKET W/ WEDGE (UNIVERSAL TYPE)	ADSU	1	738X	738X	738X	738X	738X
ARCH DUMP SOCKET WEDGE ONLY	ADSW	1	740W	740W	740W	740	740
ARCH UNIVERSAL JOINT	AU	1	7AU	7AU	7AU	7AU	7AU
ARCH UNIVERSAL PIN AND NUT (SAME AS HOOD ANGLE PIN AND NUT)	HAP	1	736N	736N	736N	736N	736N
REPLACEMENT BUCKET BOTTOM COMPLETE	RBBC	1	612BC-L	612BC-T	612BC-H	612BC-MH	612BC-MH-N
REPLACEMENT BUCKET BOTTOM ONLY	RBB	1	612B-L	612B-T	612B-H	612B-MH	612B-MH-N
REPLACEMENT BOTTOM RUNNER	RR		612RR-S (4)	612HSR (5)	T612HSR (5)	T812HSR (5)	T812HSR (5)
REPLACEMENT BOTTOM RUNNER SHOE	S	5			612S	812S	812S
CORNER WEAR PLATE	CWP	2	612CWPS	612HP	612HP	S612HP	S612HP
CORNER WEAR PLATE SHOE	HPS	2			612HPS	S612HPS	S612HPS
LIP SHROUD - CURVED SECTION R.H		1		S612R-TN	S61285R-H	S61285R-MH	S785R-MH
LIP SHROUD - CURVED SECTION L.H		1		S612L-TN	S61285L-H	S61285L-MH	S785L-MH
LIP SHROUD - STRAIGHT SECTION		4		S612S-TN	S61285S-H	S61285S-MH	S785S-MH- 70
DUMP BLOCK COMPLETE	DB	1	U20DB	U20DB	U20DB	U22DB	U22DB

# 7 YARD BUCKET

## BUCKET SIZE

[HOME](#)


PART	SYMBOL	NO. REQ.	TYPE	TYPE	TYPE	TYPE	“MH”
			“LS”	“TS”	“HS”	“MH”	SPEC. NARROW
PART	SYMBOL	NO. REQ.	PART NUMBER	PART NUMBER	PART NUMBER	PART NUMBER	PART NUMBER
TOOTH POINT W/ KEEPER	TP		804 (4)	804HX (5)	867 (5)	867 (5)	867 (5)
TOOTH POINT BOLT ONLY	TPB		A478 (4)	A478 (5)			
TOOTH POINT WEDGE ONLY	TPW	5			#7	#7	#7
DRAG CHAIN	DC	2	134D26	134D26	2D22	2D28	2D28
REPAIR LINK FOR DRAG CHAIN	RL		134RL	134RL	2RL	2RL	2RL
END LINK FOR DRAG CHAIN	EL		134EL	134EL	2EL	2EL	2EL
HOIST CHAIN - TOP SECTION	HCT	2	112T11	112T11	112T11	112T13	112T13
HOIST CHAIN - BOTTOM SECTION	HCB	2	112B7	112B7	112B7	112B7	112B7
REPAIR LINK FOR HOIST CHAIN	RL		112RL	112RL	112RL	112RL	112RL
END LINK FOR HOIST CHAIN	EL		112EL	112EL	112EL	112EL	112EL
3-WAY DRAG HITCH COMPLETE	DH	1	A710L	A710L	A710L	A710L	A710L
3-WAY DRAG HITCH WEDGE ONLY	DHW	1	A712L	A712L	A712L	A712L	A712L
3-WAY DRAG HITCH PIN ONLY	DHP	1	714	714	714	714	714
DUMP ROPE SOCKET W/ WEDGE	DRS	1	716	716	716	716	716
DUMP ROPE SOCKET WEDGE ONLY	DRSW	1	740	740	740	740	740
LIP-ALLOY STEEL W/TOOTH BASES AND TOOTH POINTS	LC	1	7L214C				
LIP MANGANSES STEEL W/ TOOTH BASES AND TOOTH POINTS	LMC	1		S7T-LM	S785H	S785MH	S785MH-70

# 7 YARD BUCKET CONT

## BUCKET SIZE

[HOME](#)


			TYPE "LS"	TYPE "TS"	TYPE "HS"	TYPE "MH"	"MH" SPEC. NARROW
REPLACEMENT TOOTH BASE	RTB		802	8RTB-T	S865P	S865P	S865P
TOOTH BASE PIN ONLY	TBP	2			C	C	C
REPLACEMENT HITCH PLATE END ONLY	RHP		8RHP	8RHP	8RHP	8RHP	8RHP
REPLACEMENT TRUNION END ONLY	RTE		8RTE	8RTE	8RTE	8RTE	8RTE
DRAG HITCH SHACKLE	DHS	2	822	822	822	822	822
HITCH PLATE PIN W/ NUT - THREADED	HPP	2	824	824	824	824	824
HITCH PLATE PIN NUT ONLY	HPPN		214SN	214SN	214SN	214SN	214SN
HITCH PLATE PROTECTOR CUP	HPC	2	C-8	C-8	C-8	C-8	C-8
HITCH PLATE EXTENSION W/ PIN AND NUT	HPE	2	82HPE	82HPE	82HPE	82HPE	82HPE
HITCH PLATE EXTENSION CASTING ONLY	E		82E	82E	82E	82E	82E
HITCH PLATE EXTENSION PIN AND NUT ONLY	HPEP		82P	82P	82P	82P	82P
HITCH PLATE EXTENSION PIN NUT ONLY	HPEN		214SN	214SN	214SN	214SN	214SN
TRUNION LINK COMPLETE W/ PINS	TL	2	826N	826N	826N	826N	826N
TRUNION LINK PIN W/ NUT-TOP - THREADED	TTP	2	828N	828N	828N	828N	828N
TRUNION LINK PIN NUT ONLY	TTPN		134SN	134SN	134SN	134SN	134SN
TRUNION LINK PIN - BOTTOM	BTP	2	830	830	830	830	830
SPREADER BAR COMPLETE W/ PINS	SB	1	732L	732T	R732H	R732MH	R732MH-70
SPREADER BAR PIN W/ NUT - THREADED	SBP	4	34134N	34134N	34134N	34134N	34134N
SPREADER BAR PIN NUT ONLY	SBPN		134SN	134SN	134SN	134SN	134SN
SPREADER BAR END CASTING	SBE	2	33134N	33134N	R33134N	R33134N	R33134N

# 7 YARD BUCKET CONT

## BUCKET SIZE

[HOME](#)


			TYPE "LS"	TYPE "TS"	TYPE "HS"	TYPE "MH"	"MH" SPEC. NARROW
HOOD ANGLE	HA	1	734N	734N	734N	734N	734N
HOOD ANGLE PIN W/ NUT - THREADED	HAP	1	736N	736N	736N	736N	736N
HOOD ANGLE PIN NUT ONLY	HAPN		134SN	134SN	134SN	134SN	134SN
ARCH DUMP SOCKET W/ WEDGE (UNIVERSAL TYPE)	ADSU	1	738X	738X	738X	738X	738X
ARCH DUMP SOCKET WEDGE ONLY	ADSW	1	740	740	740	740	740
ARCH UNIVERSAL JOINT	AU	1	7AU	7AU	7AU	7AU	7AU
ARCH UNIVERSAL PIN AND NUT (SAME AS HOOD ANGLE PIN AND NUT)	HAP	1	736N	736N	736N	736N	736N
REPLACEMENT BUCKET BOTTOM COMPLETE	RBBC	1	7BC-L	7BC-T	7BC-H	7BC-MH	7BC-MH-N
REPLACEMENT BUCKET BOTTOM ONLY	RBB	1	7B-L	7B-T	7B-H	7B-MH	7B-MH-N
REPLACEMENT BOTTOM RUNNER	RR		7RR-S (4)	812HSR (5)	T812HSR (5)	T812HSR (5)	T812HSR (5)
REPLACEMENT BOTTOM RUNNER SHOE	S	5			812S	812S	812S
CORNER WEAR PLATE	CWP	2	7CWPS	812HP	812HP	S612HP	S612HP
CORNER WEAR PLATE SHOE	HPS	2			812HPS	S612HPS	S612HPS
LIP SHROUD - CURVED SECTION R.H		1		S7R-TN	S785R-H	S785R-MH	S785R-MH
LIP SHROUD - CURVED SECTION L.H		1		S7L-TN	S785L-H	S785L-MH	S785L-MH
LIP SHROUD - STRAIGHT SECTION		4		S7S-TN	S785S-H	S785S-MH	S785S-MH- 70
DUMP BLOCK COMPLETE	DB	1	U22DB	U22DB	U22DB	U22DB	U22DB

# 7 1/2 YARD BUCKET

## BUCKET SIZE

[HOME](#)


			TYPE "LS"	TYPE "TS"	TYPE "HS"	TYPE "MH"	"MH" SPEC. NARROW
PART	SYMBOL	NO. REQ.	PART NUMBER	PART NUMBER	PART NUMBER	PART NUMBER	PART NUMBER
TOOTH POINT W/ KEEPER	TP		804 (4)	804HX (5)	867 (5)	867 (5)	867 (5)
TOOTH POINT BOLT ONLY	TPB		A478 (4)	A478 (5)			
TOOTH POINT WEDGE ONLY	TPW	5			#7	#7	#7
DRAG CHAIN	DC	2	134D26	134D26	2D22	2D28	2D28
REPAIR LINK FOR DRAG CHAIN	RL		134RL	134RL	2RL	2RL	2RL
END LINK FOR DRAG CHAIN	EL		134EL	134EL	2EL	2EL	2EL
HOIST CHAIN - TOP SECTION	HCT	2	112T11	112T11	112T11	112T13	112T13
HOIST CHAIN - BOTTOM SECTION	HCB	2	112B7	112B7	112B7	112B7	112B7
REPAIR LINK FOR HOIST CHAIN	RL		112RL	112RL	112RL	112RL	112RL
END LINK FOR HOIST CHAIN	EL		112EL	112EL	112EL	112EL	112EL
3-WAY DRAG HITCH COMPLETE	DH	1	A710L	A710L	A710L	A710L	A710L
3-WAY DRAG HITCH WEDGE ONLY	DHW	1	A712L	A712L	A712L	A712L	A712L
3-WAY DRAG HITCH PIN ONLY	DHP	1	714	714	714	714	714
DUMP ROPE SOCKET W/ WEDGE	DRS	1	716	716	716	716	716
DUMP ROPE SOCKET WEDGE ONLY	DRSW	1	740	740	740	740	740
LIP-ALLOY STEEL W/TOOTH BASES AND TOOTH POINTS	LC	1	7L214C				
LIP MANGANSES STEEL W/ TOOTH BASES AND TOOTH POINTS	LMC	1		S7T-LM	S785H	S785MH	S785MH-75



# 7 1/2 YARD BUCKET CONT

## BUCKET SIZE

[HOME](#)


			TYPE "LS"	TYPE "TS"	TYPE "HS"	TYPE "MH"	"MH" SPEC. NARROW
REPLACEMENT TOOTH BASE	RTB		802	8RTB-T	S865P	S865P	S865P
TOOTH BASE PIN ONLY	TBP	2			C	C	C
REPLACEMENT HITCH PLATE END ONLY	RHP		8RHP	8RHP	8RHP	8RHP	8RHP
REPLACEMENT TRUNION END ONLY	RTE		8RTE	8RTE	8RTE	8RTE	8RTE
DRAG HITCH SHACKLE	DHS	2	822	822	822	822	822
HITCH PLATE PIN W/ NUT - THREADED	HPP	2	824	824	824	824	824
HITCH PLATE PIN NUT ONLY	HPPN		214SN	214SN	214SN	214SN	214SN
HITCH PLATE PROTECTOR CUP	HPC	2	C-8	C-8	C-8	C-8	C-8
HITCH PLATE EXTENSION W/ PIN AND NUT	HPE	2	82HPE	82HPE	82HPE	82HPE	82HPE
HITCH PLATE EXTENSION CASTING ONLY	E		82E	82E	82E	82E	82E
HITCH PLATE EXTENSION PIN AND NUT ONLY	HPEP		82P	82P	82P	82P	82P
HITCH PLATE EXTENSION PIN NUT ONLY	HPEN		214SN	214SN	214SN	214SN	214SN
TRUNION LINK COMPLETE W/ PINS	TL	2	826N	826N	826N	826N	826N
TRUNION LINK PIN W/ NUT-TOP - THREADED	TTP	2	828N	828N	828N	828N	828N
TRUNION LINK PIN NUT ONLY	TTPN		134SN	134SN	134SN	134SN	134SN
TRUNION LINK PIN - BOTTOM	BTP	2	830	830	830	830	830
SPREADER BAR COMPLETE W/ PINS	SB	1	732L	732T	R732H	R732MH	R832MH-75
SPREADER BAR PIN W/ NUT - THREADED	SBP	4	34134N	34134N	34134N	34134N	34134N
SPREADER BAR PIN NUT ONLY	SBPN		134SN	134SN	134SN	134SN	134SN
SPREADER BAR END CASTING	SBE	2	33134N	33134N	R33134N	R33134N	R33134N

# 7 1/2 YARD BUCKET CONT

## BUCKET SIZE

[HOME](#)


			TYPE "LS"	TYPE "TS"	TYPE "HS"	TYPE "MH"	"MH" SPEC. NARROW
HOOD ANGLE	HA	1	734N	734N	734N	734N	734N
HOOD ANGLE PIN W/ NUT - THREADED	HAP	1	736N	736N	736N	736N	736N
HOOD ANGLE PIN NUT ONLY	HAPN		134SN	134SN	134SN	134SN	134SN
ARCH DUMP SOCKET W/ WEDGE (UNIVERSAL TYPE)	ADSU	1	738X	738X	738X	738X	738X
ARCH DUMP SOCKET WEDGE ONLY	ADSW	1	740	740	740	740	740
ARCH UNIVERSAL JOINT	AU	1	7AU	7AU	7AU	7AU	7AU
ARCH UNIVERSAL PIN AND NUT (SAME AS HOOD ANGLE PIN AND NUT)	HAP	1	736N	736N	736N	736N	736N
REPLACEMENT BUCKET BOTTOM COMPLETE	RBBC	1	712BC-L	712BC-T	712BC-H	712BC-MH	712BC-MH-N
REPLACEMENT BUCKET BOTTOM ONLY	RBB	1	712B-L	712B-T	712B-H	712B-MH	712B-MH-N
REPLACEMENT BOTTOM RUNNER	RR		712RR-S (4)	812HSR (5)	T812HSR (5)	T812HSR (5)	T812HSR (5)
REPLACEMENT BOTTOM RUNNER SHOE	S	5			812S	812S	812S
CORNER WEAR PLATE	CWP	2	7CWPS	812HP	812HP	S612HP	S612HP
CORNER WEAR PLATE SHOE	HPS	2			812HPS	S612HPS	S612HPS
LIP SHROUD - CURVED SECTION R.H		1		S7R-TN	S785R-H	S785R-MH	S885R-MH
LIP SHROUD - CURVED SECTION L.H		1		S7L-TN	S785L-H	S785L-MH	S885L-MH
LIP SHROUD - STRAIGHT SECTION		4		S7S-TN	S785S-H	S785S-MH	S885S-MH-75
DUMP BLOCK COMPLETE	DB	1	U22DB	U22DB	U22DB	U22DB	U22DB

# 8 - 8 1/2 YARD BUCKET

## BUCKET SIZE

[HOME](#)


PART	SYMBOL	NO. REQ.	TYPE "LS"		TYPE "TS"		TYPE "HS"		TYPE "MH"		"MH" SPEC. NARROW
			PART NUMBER	PART NUMBER	PART NUMBER	PART NUMBER	PART NUMBER	PART NUMBER	PART NUMBER		
TOOTH POINT W/ KEEPER	TP		804 (4)	804HX (5)	867 (5)	867 (5)	867 (5)	867 (5)	867 (5)		
TOOTH POINT BOLT ONLY	TPB		A478 (4)	A478 (5)							
TOOTH POINT WEDGE ONLY	TPW	5			#7	#7	#7	#7	#7		
DRAG CHAIN	DC	2	134D28	134D28	2D26	2D28	2D28	2D28	2D28		
REPAIR LINK FOR DRAG CHAIN	RL		134RL	134RL	2RL	2RL	2RL	2RL	2RL		
END LINK FOR DRAG CHAIN	EL		134EL	134EL	2EL	2EL	2EL	2EL	2EL		
HOIST CHAIN - TOP SECTION	HCT	2	112T11	112T11	112T11	112T13	112T13	112T13	112T13		
HOIST CHAIN - BOTTOM SECTION	HCB	2	112B7	112B7	112B7	112B7	112B7	112B7	112B7		
REPAIR LINK FOR HOIST CHAIN	RL		112RL	112RL	112RL	112RL	112RL	112RL	112RL		
END LINK FOR HOIST CHAIN	EL		112EL	112EL	112EL	112EL	112EL	112EL	112EL		
3-WAY DRAG HITCH COMPLETE	DH	1	A710L	A710L	A710L	A710L	A710L	A710L	A710L		
3-WAY DRAG HITCH WEDGE ONLY	DHW	1	A712L	A712L	A712L	A712L	A712L	A712L	A712L		
3-WAY DRAG HITCH PIN ONLY	DHP	1	714	714	714	714	714	714	714		
DUMP ROPE SOCKET W/ WEDGE	DRS	1	716	716	716	716	716	716	716		
DUMP ROPE SOCKET WEDGE ONLY	DRSW	1	740	740	740	740	740	740	740		
LIP-ALLOY STEEL W/TOOTH BASES AND TOOTH POINTS	LC	1	8L214C								
LIP MANGANESE STEEL W/ TOOTH BASES AND TOOTH POINTS	LMC	1		S8T-LM	S885H	S885H	S885H	S885H	S885MH-75		

# 8 - 8 1/2 YARD BUCKET CONT

## BUCKET SIZE

[HOME](#)


			TYPE "LS"	TYPE "TS"	TYPE "HS"	TYPE "MH"	"MH" SPEC. NARROW
REPLACEMENT TOOTH BASE	RTB		802	8RTB-T	S865P	S865P	S865P
TOOTH BASE PIN ONLY	TBP	2			C	C	C
REPLACEMENT HITCH PLATE END ONLY	RHP		8RHP	8RHP	8RHP	8RHP	8RHP
REPLACEMENT TRUNION END ONLY	RTE		8RTE	8RTE	8RTE	8RTE	8RTE
DRAG HITCH SHACKLE	DHS	2	822	822	822	822	822
HITCH PLATE PIN W/ NUT - THREADED	HPP	2	824	824	824	824	824
HITCH PLATE PIN NUT ONLY	HPPN		214SN	214SN	214SN	214SN	214SN
HITCH PLATE PROTECTOR CUP	HPC	2	C-8	C-8	C-8	C-8	C-8
HITCH PLATE EXTENSION W/ PIN AND NUT	HPE	2	82HPE	82HPE	82HPE	82HPE	82HPE
HITCH PLATE EXTENSION CASTING ONLY	E		82E	82E	82E	82E	82E
HITCH PLATE EXTENSION PIN AND NUT ONLY	HPEP		82P	82P	82P	82P	82P
HITCH PLATE EXTENSION PIN NUT ONLY	HPEN		214SN	214SN	214SN	214SN	214SN
TRUNION LINK COMPLETE W/ PINS	TL	2	826N	826N	826N	826N	826N
TRUNION LINK PIN W/ NUT-TOP - THREADED	TTP	2	828N	828N	828N	828N	828N
TRUNION LINK PIN NUT ONLY	TTPN		134SN	134SN	134SN	134SN	134SN
TRUNION LINK PIN - BOTTOM	BTP	2	830	830	830	830	830
SPREADER BAR COMPLETE W/ PINS	SB	1	832L	832T	R832H	R832MH	R832MH-75
SPREADER BAR PIN W/ NUT - THREADED	SBP	4	34134N	34134N	34134N	34134N	34134N
SPREADER BAR PIN NUT ONLY	SBPN		134SN	134SN	134SN	134SN	134SN
SPREADER BAR END CASTING	SBE	2	33134N	33134N	R33134N	R33134N	R33134N

# 8 - 8 1/2 YARD BUCKET CONT

## BUCKET SIZE

[HOME](#)


			TYPE "LS"	TYPE "TS"	TYPE "HS"	TYPE "MH"	"MH" SPEC. NARROW
HOOD ANGLE	HA	1	734N	734N	734N	734N	734N
HOOD ANGLE PIN W/ NUT - THREADED	HAP	1	736N	736N	736N	736N	736N
HOOD ANGLE PIN NUT ONLY	HAPN		134SN	134SN	134SN	134SN	134SN
ARCH DUMP SOCKET W/ WEDGE (UNIVERSAL TYPE)	ADSU	1	738X	738X	738X	738X	738X
ARCH DUMP SOCKET WEDGE ONLY	ADSW	1	740	740	740	740	740
ARCH UNIVERSAL JOINT	AU	1	7AU	7AU	7AU	7AU	7AU
ARCH UNIVERSAL PIN AND NUT (SAME AS HOOD ANGLE PIN AND NUT)	HAP	1	736N	736N	736N	736N	736N
REPLACEMENT BUCKET BOTTOM COMPLETE	RBBC	1	8BC-L 812BC-L	8BC-T 812BC-T	8BC-H 812BC-H	8BC-MH 812BC-MH	8BC-MH-N 812BC-MH-N
REPLACEMENT BUCKET BOTTOM ONLY	RBB	1	812B-L	812B-T	812B-H	812B-MH	812B-MH-N
REPLACEMENT BOTTOM RUNNER, 8 YARD	RR		8RR-S (4)	812HSR (5)	T812HSR (5)	T812HSR (5)	T812HSR (5)
REPLACEMENT BOTTOM RUNNER, 8 1/2 YARD	RR		812RR-S (4)	812HSR (5)	T812HSR (5)	T812HSR (5)	T812HSR (5)
REPLACEMENT BOTTOM RUNNER SHOE	S	5			812S	812S	812S
CORNER WEAR PLATE	CWP	2	8CWPS	812HP	812HP	S612HP	S612HP
CORNER WEAR PLATE SHOE	HPS	2			812HPS	S612HPS	S612HPS
LIP SHROUD - CURVED SECTION R.H		1		S8R-TN	S885R-H	S885R-MH	S885R-MH
LIP SHROUD - CURVED SECTION L.H		1		S8L-TN	S885L-H	S885L-MH	S885L-MH
LIP SHROUD - STRAIGHT SECTION		4		S8S-TN	S885S-H	S885S-MH	S885S-MH-75
DUMP BLOCK COMPLETE	DB	1	U22DB	U22DB	U22DB	U22DB	U22DB

# 9 - 9 1/2 YARD BUCKET

## BUCKET SIZE

[HOME](#)


			TYPE "LS"	TYPE "TS"	TYPE "HS"	TYPE "MH"	"MH" SPEC. NARROW
PART	SYMBOL	NO. REQ.	PART NUMBER	PART NUMBER	PART NUMBER	PART NUMBER	PART NUMBER
TOOTH POINT	TP		1104 (4)	1104HX (5)	1168 (5)	1168 (5)	1168 (5)
TOOTH POINT BOLT ONLY	TPB		A478 (4)	A478 (5)			
TOOTH POINT WEDGE ONLY	TPW	5			#8	#8	#8
DRAG CHAIN	DC	2	2D26	2D26	214D24	214D26	214D26
REPAIR LINK FOR DRAG CHAIN	RL		2RL	2RL	214RL	214RL	214RL
END LINK FOR DRAG CHAIN	EL		2EL	2EL	214EL	214EL	214EL
HOIST CHAIN - TOP SECTION	HCT	2	158T11	158T11	158T11	158T13	158T13
HOIST CHAIN - BOTTOM SECTION	HCB	2	158B9	158B9	158B9	158B9	158B9
REPAIR LINK FOR HOIST CHAIN	RL		158RL	158RL	158RL	158RL	158RL
END LINK FOR HOIST CHAIN	EL		158EL	158EL	158EL	158EL	158EL
3-WAY DRAG HITCH COMPLETE	DH	1	A1110L	A1110L	A1110L	A1110L	A1110L
3-WAY DRAG HITCH WEDGE ONLY	DHW	1	A1112L	A1112L	A1112L	A1112L	A1112L
3-WAY DRAG HITCH PIN ONLY	DHP	1	1114	1114	1114	1114	1114
DUMP ROPE SOCKET W/ WEDGE	DRS	1	1116	1116	1116	1116	1116
DUMP ROPE SOCKET WEDGE ONLY	DRSW	1	1140	1140	1140	1140	1140
LIP-ALLOY STEEL W/TOOTH BASES AND TOOTH POINTS	LC	1	9L234C				
LIP MANGANES STEEL W/ TOOTH BASES AND TOOTH POINTS	LMC	1		S9T-LM	S985H	S985MH	S985MH-80

# 9 - 9 1/2 YARD BUCKET CONT

## BUCKET SIZE

[HOME](#)


			TYPE "LS"	TYPE "TS"	TYPE "HS"	TYPE "MH"	"MH" SPEC. NARROW
REPLACEMENT TOOTH BASE	RTB		1102	11RTB-T	S1165P	S1165P	S1165P
TOOTH BASE PIN ONLY	TBP	2			D	D	D
REPLACEMENT HITCH PLATE END ONLY	RHP		11RHP	11RHP	11RHP	11RHP	11RHP
REPLACEMENT TRUNION END ONLY	RTE		11RTE	11RTE	11RTE	11RTE	11RTE
DRAG HITCH SHACKLE	DHS	2	1122	1122	1122	1122	1122
HITCH PLATE PIN W/ NUT - THREADED	HPP	2	1124	1124	1124	1124	1124
HITCH PLATE PIN NUT ONLY	HPPN		212SN	212SN	212SN	212SN	212SN
HITCH PLATE PROTECTOR CUP	HPC	2	C-11	C-11	C-11	C-11	C-11
HITCH PLATE EXTENSION W/ PIN AND NUT	HPE	2	112HPE	112HPE	112HPE	112HPE	112HPE
HITCH PLATE EXTENSION CASTING ONLY	E		112E	112E	112E	112E	112E
HITCH PLATE EXTENSION PIN AND NUT ONLY	HPEP		112P	112P	112P	112P	112P
HITCH PLATE EXTENSION PIN NUT ONLY	HPEN		212SN	212SN	212SN	212SN	212SN
TRUNION LINK COMPLETE W/ PINS	TL	2	1126N	1126N	1126N	1126N	1126N
TRUNION LINK PIN W/ NUT-TOP - THREADED	TTP	2	1128N	1128N	1128N	1128N	1128N
TRUNION LINK PIN NUT ONLY	TTPN		2SN	2SN	2SN	2SN	2SN
TRUNION LINK PIN - BOTTOM	BTP	2	1130	1130	1130	1130	1130
SPREADER BAR COMPLETE W/ PINS	SB	1	932L	932T	R932H	R932MH	R932MH-80
SPREADER BAR PIN W/ NUT - THREADED	SBP	4	342N	342N	342N	342N	342N
SPREADER BAR PIN NUT ONLY	SBPN		2SN	2SN	2SN	2SN	2SN
SPREADER BAR END CASTING	SBE	2	332N	332N	R332N	R332N	R332N

# 9 - 9 1/2 YARD BUCKET CONT

## BUCKET SIZE

[HOME](#)


			TYPE "LS"	TYPE "TS"	TYPE "HS"	TYPE "MH"	"MH" SPEC. NARROW
HOOD ANGLE	HA	1	1134N	1134N	1134N	1134N	1134N
HOOD ANGLE PIN W/ NUT - THREADED	HAP	1	1136N	1136N	1136N	1136N	1136N
HOOD ANGLE PIN NUT ONLY	HAPN		2SN	2SN	2SN	2SN	2SN
ARCH DUMP SOCKET W/ WEDGE (UNIVERSAL TYPE)	ADSU	1	1138X	1138X	1138X	1138X	1138X
ARCH DUMP SOCKET WEDGE ONLY	ADSW	1	1140	1140	1140	1140	1140
ARCH UNIVERSAL JOINT	AU	1	11AU	11AU	11AU	11AU	11AU
ARCH UNIVERSAL PIN AND NUT (SAME AS HOOD ANGLE PIN AND NUT)	HAP	1	1136N	1136N	1136N	1136N	1136N
REPLACEMENT BUCKET BOTTOM COMPLETE	RBBC	1	9BC-L 912BC-L	9BC-T 912BC-T	9BC-H 912BC-H	9BC-MH 912BC-MH	9BC-MH 912BC-MH-N
REPLACEMENT BUCKET BOTTOM ONLY	RBB	1	912B-L	912B-T	912B-H	912B-MH	912B-MH-N
REPLACEMENT BOTTOM RUNNER, 9 YARD	RR		9RR-S (4)	11HSR (5)	T11HSR (5)	T11HSR (5)	T11HSR (5)
REPLACEMENT BOTTOM RUNNER, 9.5 YARD	RR		912RR-S (4)	11HSR (5)	T11HSR (5)	T11HSR (5)	T11HSR (5)
REPLACEMENT BOTTOM RUNNER SHOE	S	5			11S	11S	11S
CORNER WEAR PLATE	CWP	2	9CWPS	11HP	11HP	S11HP	S11HP
CORNER WEAR PLATE SHOE	HPS	2			11HPS	S11HPS	S11HPS
LIP SHROUD - CURVED SECTION R.H		1		S9R-TN	S985R-H	S985R-MH	S985R-MH
LIP SHROUD - CURVED SECTION L.H		1		S9L-TN	S985L-H	S985L-MH	S985L-MH
LIP SHROUD - STRAIGHT SECTION		4		S9S-TN	S985S-H	S985S-MH	S985S-MH- 80
DUMP BLOCK COMPLETE	DB	1	U24DB	U24DB	U24DB	U24DB	U24DB



# 10 - 11 YARD BUCKET

## BUCKET SIZE

[HOME](#)


			TYPE "LS"	TYPE "TS"	TYPE "HS"	TYPE "MH"	"MH" SPEC. NARROW
PART	SYMBOL	NO. REQ.	PART NUMBER	PART NUMBER	PART NUMBER	PART NUMBER	PART NUMBER
TOOTH POINT	TP	5	1104	1104HX	1168	1168	1168
TOOTH POINT BOLT ONLY	TPB	5	A478	A478			
TOOTH POINT WEDGE ONLY	TPW	5			#8	#8	#8
DRAG CHAIN	DC	2	2D26	2D26	214D24	214D28	214D28
REPAIR LINK FOR DRAG CHAIN	RL		2RL	2RL	214RL	214RL	214RL
END LINK FOR DRAG CHAIN	EL		2EL	2EL	214EL	214EL	214EL
HOIST CHAIN - TOP SECTION	HCT	2	158T11	158T11	158T11	158T13	158T13
HOIST CHAIN - BOTTOM SECTION	HCB	2	158B9	158B9	158B9	158B9	158B9
REPAIR LINK FOR HOIST CHAIN	RL		158RL	158RL	158RL	158RL	158RL
END LINK FOR HOIST CHAIN	EL		158EL	158EL	158EL	158EL	158EL
3-WAY DRAG HITCH COMPLETE	DH	1	A1110L	A1110L	A1110L	A1110L	A1110L
3-WAY DRAG HITCH WEDGE ONLY	DHW	1	A1112L	A1112L	A1112L	A1112L	A1112L
3-WAY DRAG HITCH PIN ONLY	DHP	1	1114	1114	1114	1114	1114
DUMP ROPE SOCKET W/ WEDGE	DRS	1	1116	1116	1116	1116	1116
DUMP ROPE SOCKET WEDGE ONLY	DRSW	1	1140	1140	1140	1140	1140
LIP-ALLOY STEEL W/TOOTH BASES AND TOOTH POINTS	LC	1	10L234C				
LIP MANGANESE STEEL W/ TOOTH BASES AND TOOTH POINTS	LMC	1		S11T-LM	S1185H	S1185MH	S1185MH-85

# 10 - 11 YARD BUCKET CONT

## BUCKET SIZE

[HOME](#)


			TYPE "LS"	TYPE "TS"	TYPE "HS"	TYPE "MH"	"MH" SPEC. NARROW
REPLACEMENT TOOTH BASE	RTB		1102	11RTB-T	S1165P	S1165P	S1165P
TOOTH BASE PIN ONLY	TBP	2			D	D	D
REPLACEMENT HITCH PLATE END ONLY	RHP		11RHP	11RHP	11RHP	11RHP	11RHP
REPLACEMENT TRUNION END ONLY	RTE		11RTE	11RTE	11RTE	11RTE	11RTE
DRAG HITCH SHACKLE	DHS	2	1122	1122	1122	1122	1122
HITCH PLATE PIN W/ NUT - THREADED	HPP	2	1124	1124	1124	1124	1124
HITCH PLATE PIN NUT ONLY	HPPN		212SN	212SN	212SN	212SN	212SN
HITCH PLATE PROTECTOR CUP	HPC	2	C-11	C-11	C-11	C-11	C-11
HITCH PLATE EXTENSION W/ PIN AND NUT	HPE	2	112HPE	112HPE	112HPE	112HPE	112HPE
HITCH PLATE EXTENSION CASTING ONLY	E		112E	112E	112E	112E	112E
HITCH PLATE EXTENSION PIN AND NUT ONLY	HPEP		112P	112P	112P	112P	112P
HITCH PLATE EXTENSION PIN NUT ONLY	HPEN		212SN	212SN	212SN	212SN	212SN
TRUNION LINK COMPLETE W/ PINS	TL	2	1126N	1126N	1126N	1126N	1126N
TRUNION LINK PIN W/ NUT-TOP - THREADED	TTP	2	1128N	1128N	1128N	1128N	1128N
TRUNION LINK PIN NUT ONLY	TTPN		2SN	2SN	2SN	2SN	2SN
TRUNION LINK PIN - BOTTOM	BTP	2	1130	1130	1130	1130	1130
SPREADER BAR COMPLETE W/ PINS	SB	1	1032L	1032T	R1032H	R1032MH	R1032MH-85
SPREADER BAR PIN W/ NUT - THREADED	SBP	4	342N	342N	342N	342N	342N
SPREADER BAR PIN NUT ONLY	SBPN		2SN	2SN	2SN	2SN	2SN
SPREADER BAR END CASTING	SBE	2	332N	332N	R332N	R332N	R332N

# 10 - 11 YARD BUCKET CONT

## BUCKET SIZE

[HOME](#)


			TYPE "LS"	TYPE "TS"	TYPE "HS"	TYPE "MH"	"MH" SPEC. NARROW
SPREADER BAR PIN NUT ONLY	SBPN		2SN	2SN	2SN	2SN	2SN
SPREADER BAR END CASTING	SBE	2	332N	332N	R332N	R332N	R332N
HOOD ANGLE	HA	1	1134N	1134N	1134N	1134N	1134N
HOOD ANGLE PIN W/ NUT - THREADED	HAP	1	1136N	1136N	1136N	1136N	1136N
HOOD ANGLE PIN NUT ONLY	HAPN		2SN	2SN	2SN	2SN	2SN
ARCH DUMP SOCKET W/ WEDGE (UNIVERSAL TYPE)	ADSU	1	1138X	1138X	1138X	1138X	1138X
ARCH DUMP SOCKET WEDGE ONLY	ADSW	1	1140	1140	1140	1140	1140
ARCH UNIVERSAL JOINT	AU	1	11AU	11AU	11AU	11AU	11AU
ARCH UNIVERSAL PIN AND NUT (SAME AS HOOD ANGLE PIN AND NUT)	HAP	1	1136N	1136N	1136N	1136N	1136N
REPLACEMENT BUCKET BOTTOM COMPLETE	RBBC	1	10BCL 11BC-L	10BCT 11BC-T	10BC-H 11BC-H	10BC-MH 11BC-MH	10BC-MH-N 11BC-MH-N
REPLACEMENT BUCKET BOTTOM ONLY	RBB	1	11B-L	11B-T	11B-H	11B-MH	11B-MH-N
REPLACEMENT BOTTOM RUNNER, 10 YARD	RR	5	10RR-S	11HSR	T11HSR	T11HSR	T11HSR
REPLACEMENT BOTTOM RUNNER, 11 YARD	RR	5	11RR-S	11HSR	T11HSR	T11HSR	T11HSR
REPLACEMENT BOTTOM RUNNER SHOE	S	5			11S	11S	11S
CORNER WEAR PLATE	CWP	2	10CWPS	11HP	11HP	S11HP	S11HP
CORNER WEAR PLATE SHOE	HPS	2			11HPS	S11HPS	S11HPS
LIP SHROUD - CURVED SECTION R.H		1		S11R-TN	S1185R-H	S1185R-MH	S1185R-MH
LIP SHROUD - CURVED SECTION L.H		1		S11L-TN	S1185L-H	S1185L-MH	S1185L-MH
LIP SHROUD - STRAIGHT SECTION		4		S11S-TN	S1185S-H	S1185S-MH	S1185S-MH-80
DUMP BLOCK COMPLETE	DB	1	U24DB	U24DB	U24DB	U24DB	U24DB

# 12 - 13 YARD BUCKET

## BUCKET SIZE

[HOME](#)


PART	SYMBOL	NO. REQ.	TYPE "LS"		TYPE "TS"		TYPE "HS"		TYPE "MH"		"MH" SPEC. NARROW	
			PART NUMBER	PART NUMBER	PART NUMBER	PART NUMBER	PART NUMBER	PART NUMBER	PART NUMBER	PART NUMBER		
TOOTH POINT	TP		1204 (5)	1204 (5)	1268 (5)	1268 (6)	1268 (6)					
TOOTH POINT BOLT ONLY	TPB	5	A41	A41								
TOOTH POINT WEDGE ONLY	TPW				#8 (5)	#8 (6)	#8 (6)					
DRAG CHAIN	DC	2	214D26	214D26	212D22	212D24	212D24					
REPAIR LINK FOR DRAG CHAIN	RL		214RL	214RL	212RL	212RL	212RL					
END LINK FOR DRAG CHAIN	EL		214EL	214EL	212EL	212EL	212EL					
HOIST CHAIN - TOP SECTION	HCT	2	134T11	134T11	134T11	134T13	134T13					
HOIST CHAIN - BOTTOM SECTION	HCB	2	134B9	134B9	134B9	134B9	134B9					
REPAIR LINK FOR HOIST CHAIN	RL		134RL	134RL	134RL	134RL	134RL					
END LINK FOR HOIST CHAIN	EL		134EL	134EL	134EL	134EL	134EL					
3-WAY DRAG HITCH COMPLETE	DH	1	A1410L	A1410L	A1410L	A1410L	A1410L					
3-WAY DRAG HITCH WEDGE ONLY	DHW	1	A1412L	A1412L	A1412L	A1412L	A1412L					
3-WAY DRAG HITCH PIN ONLY	DHP	1	1414	1414	1414	1414	1414					
DUMP ROPE SOCKET W/ WEDGE	DRS	1	1416	1416	1416	1416	1416					
DUMP ROPE SOCKET WEDGE ONLY	DRSW	1	1440	1440	1440	1440	1440					
LIP-ALLOY STEEL W/TOOTH BASES AND TOOTH POINTS	LC	1	12Y3C									
LIP MANGANSES STEEL W/ TOOTH BASES AND TOOTH POINTS	LMC	1		S12YT-LM	S1285H	S1285MH	S1285MH-90					

# 12 - 13 YARD BUCKET CONT

## BUCKET SIZE

[HOME](#)


			TYPE "LS"	TYPE "TS"	TYPE "HS"	TYPE "MH"	"MH" SPEC. NARROW
REPLACEMENT TOOTH BASE	RTB		1202	12RTB-T	S1265P		
TOOTH BASE PIN ONLY	TBP	2			D	D	D
REPLACEMENT HITCH PLATE END ONLY	RHP		12RHP	12RHP	12RHP	12RHP	12RHP
REPLACEMENT TRUNION END ONLY	RTE		12RTE	12RTE	12RTE	12RTE	12RTE
DRAG HITCH SHACKLE	DHS	2	1222	1222	1222	1222	1222
HITCH PLATE PIN W/ NUT - THREADED	HPP	2	1224	1224	1224	1224	1224
HITCH PLATE PIN NUT ONLY	HPPN		234SN	234SN	234SN	234SN	234SN
HITCH PLATE PROTECTOR CUP	HPC	2	C-12	C-12	C-12	C-12	C-12
HITCH PLATE EXTENSION W/ PIN AND NUT	HPE	2	122HPE	122HPE	122HPE	122HPE	122HPE
HITCH PLATE EXTENSION CASTING ONLY	E		122E	122E	122E	122E	122E
HITCH PLATE EXTENSION PIN AND NUT ONLY	HPEP		122P	122P	122P	122P	122P
HITCH PLATE EXTENSION PIN NUT ONLY	HPEN		234SN	234SN	234SN	234SN	234SN
TRUNION LINK COMPLETE W/ PINS	TL	2	1226N	1226N	1226N	1226N	1226N
TRUNION LINK PIN W/ NUT-TOP - THREADED	TTP	2	1228N	1228N	1228N	1228N	1228N
TRUNION LINK PIN NUT ONLY	TTPN		214SN	214SN	214SN	214SN	214SN
TRUNION LINK PIN - BOTTOM	BTP	2	1230	1230	1230	1230	1230
SPREADER BAR COMPLETE W/ PINS	SB	1	1332L	1332T	R1332H	R1332MH	R1332MH-90
SPREADER BAR PIN W/ NUT - THREADED	SBP	4	342N	342N	342N	342N	342N
SPREADER BAR PIN NUT ONLY	SBPN		2SN	2SN	2SN	2SN	2SN
SPREADER BAR END CASTING	SBE	2	332N	332N	R332N	R332N	R332N

# 12 - 13 YARD BUCKET CONT

## BUCKET SIZE

[HOME](#)


			TYPE "LS"	TYPE "TS"	TYPE "HS"	TYPE "MH"	"MH" SPEC. NARROW
HOOD ANGLE	HA	1	1234N	1234N	1234N	1234N	1234N
HOOD ANGLE PIN W/ NUT - THREADED	HAP	1	1236N	1236N	1236N	1236N	1236N
HOOD ANGLE PIN NUT ONLY	HAPN		214SN	214SN	214SN	214SN	214SN
ARCH DUMP SOCKET W/ WEDGE (UNIVERSAL TYPE)	ADSU	1	1438X	1438X	1438X	1438X	1438X
ARCH DUMP SOCKET WEDGE ONLY	ADS W	1	1440	1440	1440	1440	1440
ARCH UNIVERSAL JOINT	AU	1	12AU	12AU	12AU	12AU	12AU
ARCH UNIVERSAL PIN AND NUT (SAME AS HOOD ANGLE PIN AND NUT)	HAP	1	1236N	1236N	1236N	1236N	1236N
REPLACEMENT BUCKET BOTTOM COMPLETE	RBBC	1	12YBC-L 13YBC-L	12YBC-T 13YBC-T	12YBC-H 13YBC-H	12YBC-MH 13YBC-MH	12YBC-MH-N 13YBC-MH-N
REPLACEMENT BUCKET BOTTOM ONLY	RBB	1	13YB-L	13YB-T	13YB-H	13YB-MH	13YB-MH-N
REPLACEMENT BOTTOM RUNNER, 12 YARD	RR		12YRR-S (5)	12HSR (5)	T12HSR (5)	T12HSR (6)	T12HSR (6)
REPLACEMENT BOTTOM RUNNER, 13 YARD	RR		13RR-S (5)	12HSR (5)	T12HSR (5)	T12HSR (6)	T12HSR (6)
REPLACEMENT BOTTOM RUNNER SHOE	S				12S (5)	12S (6)	12S (6)
CORNER WEAR PLATE	CWP	2	12CWPS	14HP	14HP	S11HP	S11HP
CORNER WEAR PLATE SHOE	HPS	2			14HPS	S11HPS	S11HPS
LIP SHROUD - CURVED SECTION R.H		1		S14R-T	S1285R-H	S1285R-MH	S1285R-MH
LIP SHROUD - CURVED SECTION L.H		1		S14L-T	S1285L-H	S1285L-MH	S1285L-MH
LIP SHROUD - STRAIGHT SECTION				S14S-T (4)	S1285S-H (4)	S1285S-MH (5)	S1285S-MH-90 (5)
DUMP BLOCK COMPLETE	DB	1	U26DB	U26DB	U26DB	U26DB	U26DB

# 14 YARD BUCKET

## BUCKET SIZE

[HOME](#)


			TYPE "LS"	TYPE "TS"	TYPE "HS"	TYPE "MH"	"MH" SPEC. NARROW
PART	SYMBOL	NO. REQ.	PART NUMBER	PART NUMBER	PART NUMBER	PART NUMBER	PART NUMBER
TOOTH POINT	TP		1204 (5)	1204 (5)	1268 (5)	1268 (6)	1268 (6)
TOOTH POINT BOLT ONLY	TPB	5	A41	A41			
TOOTH POINT WEDGE ONLY	TPW				#8 (5)	#8 (6)	#8 (6)
DRAG CHAIN	DC	2	214D26	214D26	212D22	212D24	212D24
REPAIR LINK FOR DRAG CHAIN	RL		214RL	214RL	212RL	212RL	212RL
END LINK FOR DRAG CHAIN	EL		214EL	214EL	212EL	212EL	212EL
HOIST CHAIN - TOP SECTION	HCT	2	134T11	134T11	134T11	134T13	134T13
HOIST CHAIN - BOTTOM SECTION	HCB	2	134B9	134B9	134B9	134B9	134B9
REPAIR LINK FOR HOIST CHAIN	RL		134RL	134RL	134RL	134RL	134RL
END LINK FOR HOIST CHAIN	EL		134EL	134EL	134EL	134EL	134EL
3-WAY DRAG HITCH COMPLETE	DH	1	A1410L	A1410L	A1410L	A1410L	A1410L
3-WAY DRAG HITCH WEDGE ONLY	DHW	1	A1412L	A1412L	A1412L	A1412L	A1412L
3-WAY DRAG HITCH PIN ONLY	DHP	1	1414	1414	1414	1414	1414
DUMP ROPE SOCKET W/ WEDGE	DRS	1	1416	1416	1416	1416	1416
DUMP ROPE SOCKET WEDGE ONLY	DRSW	1	1440	1440	1440	1440	1440
LIP-ALLOY STEEL W/TOOTH BASES AND TOOTH POINTS	LC	1	12Y3C				
LIP MANGANSES STEEL W/ TOOTH BASES AND TOOTH POINTS	LMC	1		S12YT-LM	S1285H	S1285MH	S1285MH-90

# 14 YARD BUCKET CONT

## BUCKET SIZE

[HOME](#)


			TYPE "LS"	TYPE "TS"	TYPE "HS"	TYPE "MH"	"MH" SPEC. NARROW
REPLACEMENT TOOTH BASE	RTB		1202	12RTB-T	S1265P	S1265P	S1265P
TOOTH BASE PIN ONLY	TBP	2			D	D	D
REPLACEMENT HITCH PLATE END ONLY	RHP		12RHP	12RHP	12RHP	12RHP	12RHP
REPLACEMENT TRUNION END ONLY	RTE		12RTE	12RTE	12RTE	12RTE	12RTE
DRAG HITCH SHACKLE	DHS	2	1222	1222	1222	1222	1222
HITCH PLATE PIN W/ NUT - THREADED	HPP	2	1224	1224	1224	1224	1224
HITCH PLATE PIN NUT ONLY	HPPN		234SN	234SN	234SN	234SN	234SN
HITCH PLATE PROTECTOR CUP	HPC	2	C-12	C-12	C-12	C-12	C-12
HITCH PLATE EXTENSION W/ PIN AND NUT	HPE	2	122HPE	122HPE	122HPE	122HPE	122HPE
HITCH PLATE EXTENSION CASTING ONLY	E		122E	122E	122E	122E	122E
HITCH PLATE EXTENSION PIN AND NUT ONLY	HPEP		122P	122P	122P	122P	122P
HITCH PLATE EXTENSION PIN NUT ONLY	HPEN		234SN	234SN	234SN	234SN	234SN
TRUNION LINK COMPLETE W/ PINS	TL	2	1226N	1226N	1226N	1226N	1226N
TRUNION LINK PIN W/ NUT-TOP - THREADED	TTP	2	1228N	1228N	1228N	1228N	1228N
TRUNION LINK PIN NUT ONLY	TTPN		214SN	214SN	214SN	214SN	214SN
TRUNION LINK PIN - BOTTOM	BTP	2	1230	1230	1230	1230	1230
SPREADER BAR COMPLETE W/ PINS	SB	1	1332L	1332T	R1332H	R1332MH	R1332MH-90
SPREADER BAR PIN W/ NUT - THREADED	SBP	4	342N	342N	342N	342N	342N
SPREADER BAR PIN NUT ONLY	SBPN		2SN	2SN	2SN	2SN	2SN
SPREADER BAR END CASTING	SBE	2	332N	332N	R332N	R332N	R332N



# 14 YARD BUCKET CONT

## BUCKET SIZE

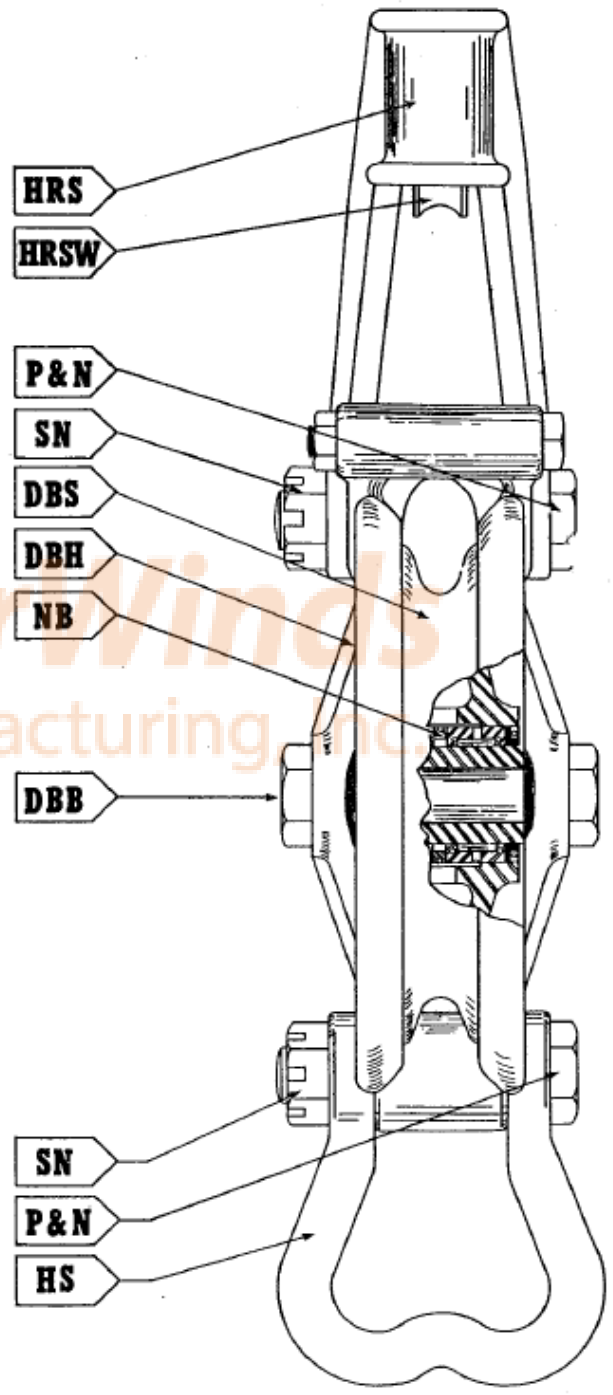
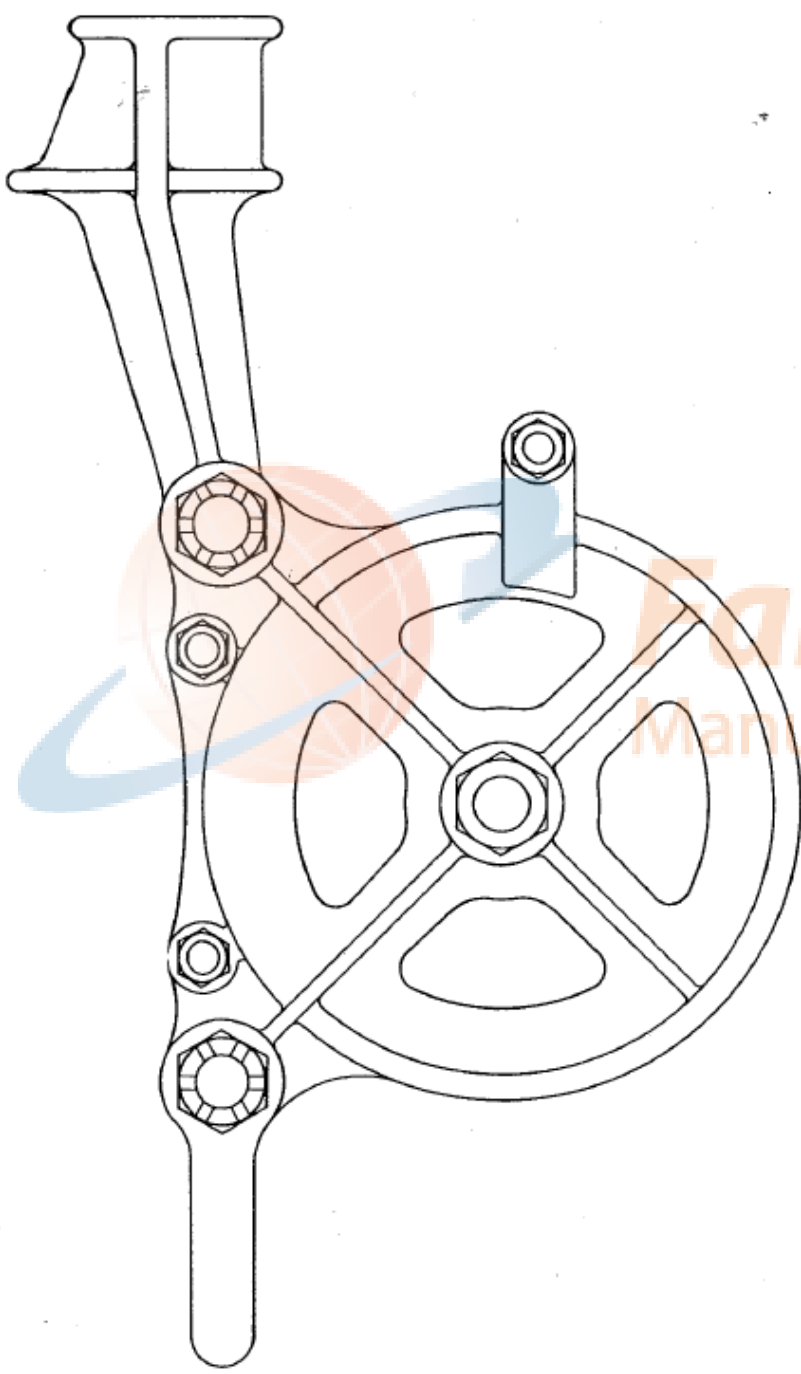
[HOME](#)


			TYPE "LS"	TYPE "TS"	TYPE "HS"		
HOOD ANGLE	HA	1	1234N	1234N	1234N	1234N	1234N
HOOD ANGLE PIN W/ NUT - THREADED	HAP	1	1236N	1236N	1236N	1236N	1236N
HOOD ANGLE PIN NUT ONLY	HAPN		214SN	214SN	214SN	214SN	214SN
ARCH DUMP SOCKET W/ WEDGE (UNIVERSAL TYPE)	ADSU	1	1438X	1438X	1438X	1438X	1438X
ARCH DUMP SOCKET WEDGE ONLY	ADSW	1	1440	1440	1440	1440	1440
ARCH UNIVERSAL JOINT	AU	1	12AU	12AU	12AU	12AU	12AU
ARCH UNIVERSAL PIN AND NUT (SAME AS HOOD ANGLE PIN AND NUT)	HAP	1	1236N	1236N	1236N	1236N	1236N
REPLACEMENT BUCKET BOTTOM COMPLETE	RBBC	1	14YBC-L	14YBC T	14YBC-H	14YBC-MH	14YBC-MH-N
REPLACEMENT BUCKET BOTTOM ONLY	RBB	1	14YB-L	14YB-T	14YB-H	14YB-MH	14YB-MH-N
REPLACEMENT BOTTOM RUNNER	RR		14YRR-S (5)	12HSR (5)	T12HSR (5)	T12HSR (6)	T12HSR (6)
REPLACEMENT BOTTOM RUNNER SHOE	S				12S (5)	12S (6)	12S (6)
CORNER WEAR PLATE	CWP	2	12CWPS	14HP	14HP	S11HP	S11HP
CORNER WEAR PLATE SHOE	HPS	2			14HPS	S11HPS	S11HPS
LIP SHROUD - CURVED SECTION R.H		1		S14R-T	S1285R-H	S1485R-MH	S1285R-H
LIP SHROUD - CURVED SECTION L.H		1		S14L-T	S1285L-H	S1485L-MH	S1285L-MH
LIP SHROUD - STRAIGHT SECTION				S14S-T (4)	S1285S-H (4)	S1485S-MH (5)	S1285S-MH-90 (5)
DUMP BLOCK COMPLETE	DB	1	U26DB	U26DB	U26DB	U26DB	U26DB

# DUMP BLOCK 8" THROUGH 16"

## PART IDENTIFICATION

HOME 



# 8" - 16" DUMP BLOCK

[HOME](#)


**YARD**  
1/4 - 5/8  
**SIZE**  
8"

**YARD**  
3/4 - 1 1/4  
**SIZE**  
9 1/2"

**YARD**  
1 1/2 - 2 1/4  
**SIZE**  
11"

**YARD**  
2 1/2 - 3 1/2  
**SIZE**  
13"

**YARD**  
3 3/4 - 4 1/2  
**SIZE**  
16"

PART	SYMBOL	PART NUMBER	PART NUMBER	PART NUMBER	PART NUMBER	PART NUMBER
DUMP BLOCK COMPLETE (ALL MAGANESE)	DB	8DB	9 1/2DB	11DB	13DB	16-178DB
DUMP BLOCK SHEAVE - Manganese, complete with Needle Bearings	DBS	8DBS	9 1/2DBS	11DBS	13DBS	16DBS
ANTI-FRICTION NEEDLE BEARING - complete with inner and outer races and grease seals. (inter-changeable with bronze and steel bushings used in older dump blocks)	NB	8NB	9 1/2NB	11NB	13NB	16NB
HOUSINGS - Manganese (pair)	DBH	8DBH	9 1/2DBH	11DBH	13DBH	16-17DBH 16-DBH (B)
HOIST ROPE SOCKET - Manganese - W/ wedge	HRS	8HRS	9 1/2HRS	11HRS	13HRS	16HRS-178P 16HRS(B)
HOIST ROPE SOCKET WEDGE ONLY	HRSW	8HRSW	9 1/2HRSW	11HRSW	13HRSW	16HRSW
HOIST ROPE SOCKET PIN - Manganese - threaded and with nut	P&N	8P&N	9 1/2P&N	11p&n	13p&n	16p-178P&N 16P&N (B)
HOIST ROPE SOCKET PIN NUT ONLY	SN	1SN	118SN	114SN	112SN	134SN 112SN (B)
DUMP BLOCK BOLT	DBB	8DBB	9 1/2DBB	11DBB	13DBB	16DBB
HOIST SHACKLE - Manganese	HS	8HS	9 1/2HS	11HS	13HS	16-178HS 16HS (B)
HOIST SHACKLE PIN - Manganese - Threaded and with nut	P&N	8P&N	9 1/2P&N	11p&n	13p&n	16p-178P&N 16P&N (B)
HOIST SHACKLE PIN NUT ONLY	SN	1SN	118SN	114SN	112SN	134SN 112SN (B)



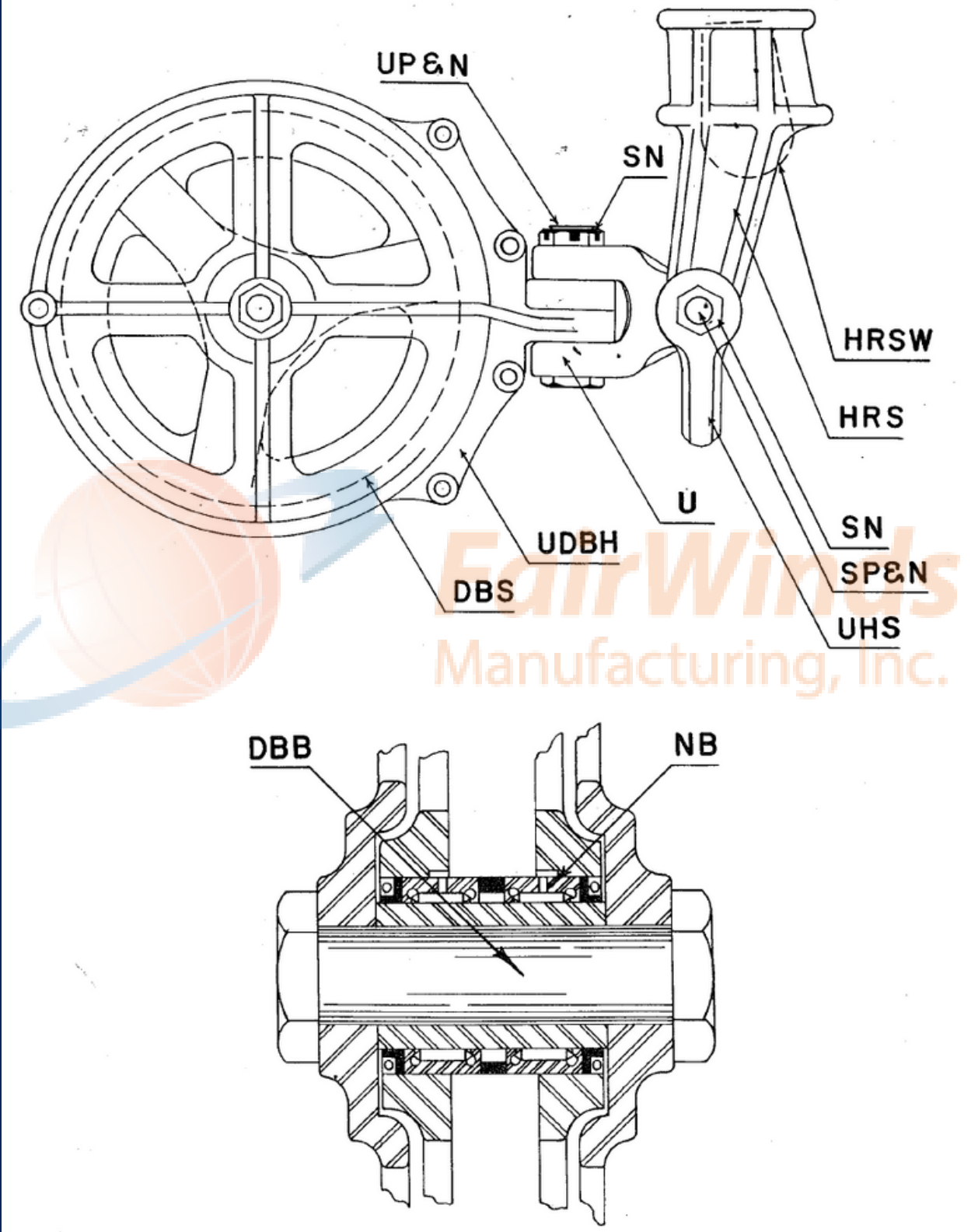
724-662-5210



<https://fairwindsmfg.com/hendrix-replacement-parts/>

# DUMP BLOCK 20" THROUGH 26" PART IDENTIFICATION

HOME 



724-662-5210



<https://fairwindsmfg.com/hendrix-replacement-parts/>

# 20" - 26" DUMP BLOCK

[HOME](#)


**YARD**  
5 - 6 1/2  
**SIZE**  
20"

**YARD**  
7 - 8 1/2  
**SIZE**  
22"

**YARD**  
9 - 11  
**SIZE**  
24"

**YARD**  
12 - 14  
**SIZE**  
26"

PART	SYMBOL	PART NUMBER	PART NUMBER	PART NUMBER	PART NUMBER
DUMP BLOCK, Universal Type, All Manganese	DB	U20DB	U22DB	U24DB	U26DB
DUMP BLOCK SHEAVE - Manganese, complete with Needle Bearings	DBS	20DBS	22DBS	24DBS	26DBS
ANTI-FRICTION NEEDLE BEARING - complete with inner and outer races and grease seals. (interchangeable with bronze and steel bushings used in older dump blocks)	NB	20NB	22NB	24NB	26NB
DUMP BLOCK BOLT	DBB	20DBB	22DBB	24DBB	26DBB
HOUSING UNIVERSAL TYPE (Pair), manganese	UDBH	U20DBH	U22DBH	U24DBH	U26DBH
UNIVERSAL	U	20U	22U	24U	26U
UNIVERSAL PIN WITH NUT	UP&N	U20P&N	U22P&N	U24P&N	U26P&N
UNIVERSAL PIN NUT ONLY	SN	2SN	2SN	212SN	212SN
HOIST ROPE SOCKET WITH WEDGE	HRS	L20HRS	L22HRS	L24HRS	L26HRS
HOIST ROPE SOCKET WEDGE ONLY	HRSW	L20HRSW	L22HRSW	L24HRSW	L26HRSW
HOIST SHACKLE	UHS	U20HS	U22HS	U24HS	U26HS
HOIST SHACKLE PIN NUT WITH NUT	SP&N	S20P&N	S22P&N	S24P&N	S26P&N
HOIST SHACKLE PIN NUT ONLY	SN	2SN	2SN	212SN	212SN



724-662-5210



<https://fairwindsmfg.com/hendrix-replacement-parts/>

# DUMP BLOCK HOUSING BOLTS

## SIZES

HOME



DUMP BLOCK SIZE	NUMBER REQUIRED	MACHINE BOLT SIZE
8" 1/4 - 5/8 YARD BUCKETS	2	1/2" X 2 1/2"
	1	1/2" X 4 1/2"
9 1/2" 3/4 - 1 1/4 YARD BUCKETS	2	5/8" X 2 1/2"
	1	5/8" X 5"
11" & 13" 1 1/2 - 3 1/2 YARD BUCKETS	2	3/4" X 3"
	1	3/4" X 6"
16" 3 3/4 - 4 1/2 YARD BUCKETS	2	3/4" X 3"
	1	3/4" X 6 1/2"
20" 5 - 6 1/2 YARD BUCKETS	2	7/8" X 3 1/4"
	1	7/8" X 7"
22" 7 - 8 1/2 YARD BUCKETS	2	7/8" X 3 1/2"
	1	7/8" X 7"
24" 9 - 11 YARD BUCKETS	2	1" X 4"
	1	1" X 8"
26" 12 - 14 YARD BUCKETS	2	1" X 4"
	1	1" X 8 1/2"



724-662-5210



<https://fairwindsmfg.com/hendrix-replacement-parts/>