

# FAIRWINDS MANUFACTURING *QUICK CHANGING COUPLERS*

Fairwinds Manufacturing offers manufacturing and distribution support for all your quick change coupler needs.

*Click on a coupler series to navigate to the corresponding page.*

## **SERIES 1**

- *COMPONENT DIAGRAM*

## **SERIES 2**

- *TOP SECTION DIAGRAM*
- *BOTTOM SECTION DIAGRAM*

## **SERIES 3: HDX**

- *COMPONENT DIAGRAM*

## **FIND YOUR SIZE INVENTORY**



**FairWinds**  
Manufacturing, Inc.



**Contact Us:**

 724-662-5210

 <https://fairwindsmfg.com/hendrix-couplers/>



# HOW TO FIND YOUR RIGHT SIZE

WHAT MEASUREMENTS DO YOU NEED

[HOME](#)



## **DIPPER OR STICK PIN HOLE (A)**

Measure the diameter of a pin ear's upper pin hole using a tape measure, selecting two points directly across from each other.

## **LINK PIN HOLE DIAMETER (B)**

Measure the diameter of a pin ear's lower pin hole using a tape measure, selecting two points directly across from each other.

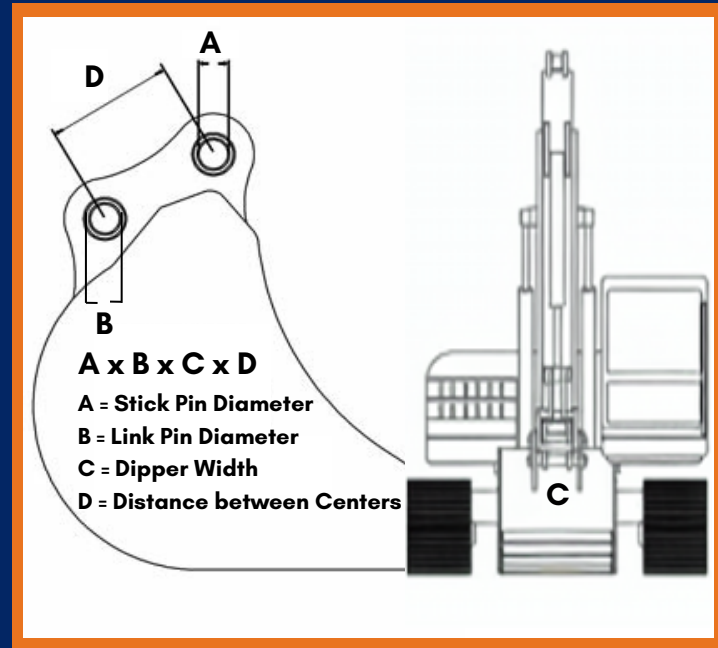
## **Distance From Center of DIPPER Pin Hole to Center of LINK Pin Hole (D)**

Measure the distance from the center of the upper pin hole to the center of the lower pin hole on one of the bucket's pin ears.

## **DIPPER WIDTH (C)**

Measure the distance from the inside side of one pin ear to the inside side of the other pin ear.

*Please make sure to have these four measurements ready so we can assist you better.*



## **OUR COUPLER SIZES**

*Click on a series to jump to that page*

### **SERIES 1**

WE JUST SELL THE PARTS FOR THIS SERIES

### **SERIES 2**

WE JUST SELL THE PARTS FOR THIS SERIES

### **SERIES 3**

*Click on a size to go to that specific model*

S120 - 12 TON

S200 - 20 TON

S350 - 35 TON

S450 - 45 TON



724-662-5210



<https://fairwindsmfg.com/hendrix-couplers/>

# QUICK CHANGING COUPLERS

## SERIES 1

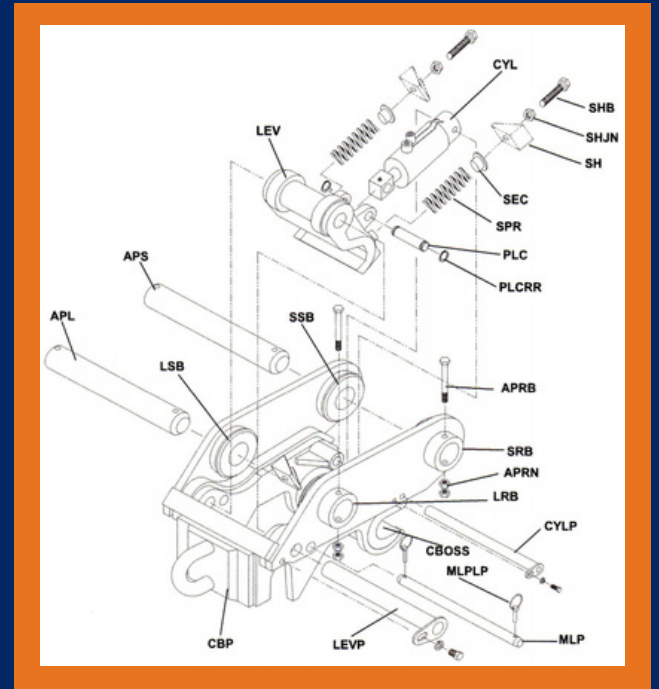
Series 1 has one spring on either side of the cylinder.

Limited stock available for Series 1

HOME



SYMBOL	DESCRIPTION	QTY
CYL	CYLINDER	1
SPR	COMPRESSION SPRING	2
SEC	SPRING END CAP	2
SHB	SPRING HANGER BOLT	2
SHJN	SPRING HANGER JAM NUT	2
SH	SPRING HANGER	1
PLC	PIN, LEVER CYLINDER	2
PLCRR	PIN, LEVER CYLINDER RETAINING RING	2
LEV	LEVER	1
SRB	STICK RETAINING BOSS	1
LRB	LINK RETAINING BOSS	1
SSB	STICK SPACING BOSS	1
LSB	LINK, SPACING BOSS	1
APS	ATTACHMENT PIN, STICK	1
APL	ATTACHMENT PIN, LINK	1
CBOSS	"C" BOSS	1
APRB	ATTACHMENT PIN RETAINING BOLT	2
APRN	ATTACHMENT PIN, RETAINING NUT	4
CYLP	CYLINDER PIN	1
MLP	MECHANICAL LOCK PIN	1
MLPLP	MECHANICAL LOCK PIN LYNCH PIN	1
LEVP	LEVER PIN	1
CBP	CAST BACK PLATE	1



**ONE PIECE, CAST STEEL FRAME AND TWO CAST STEEL LEVERS DESIGNED WITH TENSILE STRENGTH AND HARDNESS ONE AND A HALF TIMES STRONGER THAN T1.**

**VARIABLE PIN DIAMETER AND PIN SPREAD ALLOWS YOU TO PICK UP A WIDE VARIETY OF OEM ATTCHMENTS.**

*Not all items listed are available; some are for identification only.*



724-662-5210



<https://fairwindsmfg.com/hendrix-couplers/>

# QUICK CHANGING COUPLERS

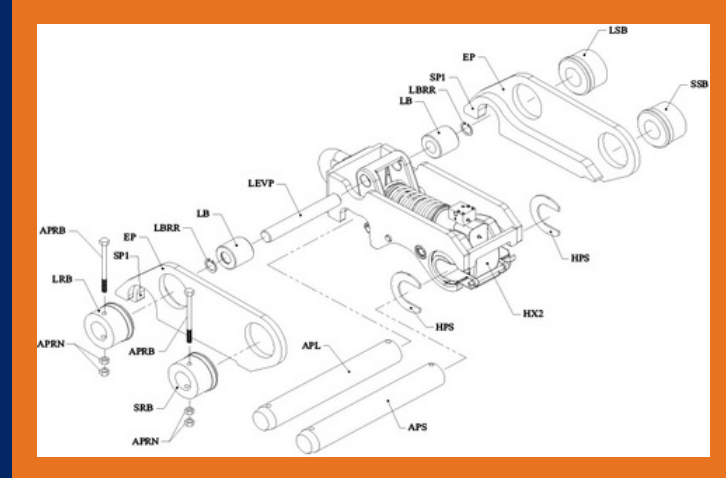
## SERIES 2 - TOP SECTION

Series 2 has one spring around the cylinder.

[HOME](#)



SYMBOL	DESCRIPTION	QTY
LSB	LINK SPACING BOSS	1
SPR	STICK SPACING BOSS	2
SEC	EAR PLATE	2
SHB	SPACER PLATE	2
SHJN	LEVER BOSS RETAINING RING	2
SH	LEVER BOSS	1
PLC	HOOK PLATE SHIM	2
PLCRR	LEVER PIN	2
LEV	ATTACHMENT PIN RETAINING BOLT	1
SRB	LINK RETAINING BOLT	1
LRB	ATTACHMENT PIN RETAINING BOLT	1
SSB	LINK RETAINING BOLT	1
LSB	ATTACHMENT PIN RETAINING NUT	1
APS	STICK RETAINING BOSS	1
APL	ATTACHMENT PIN LINK	1
CBOSS	ATTACHMENT PIN STICK	1



**FairWinds**  
Manufacturing, Inc.

**HYDRAULIC LOCKING RED SAFETY LEVER  
ALLOWS YOU TO SEE FROM THE CAB THAT  
THE ATTACHMENT IS ENGAGED.**

**PICK UP BUCKETS EASILY IN BACKHOE  
OR FACE SHOVEL POSITION**



*Not all items listed are available; some are for identification only.*



724-662-5210



<https://fairwindsmfg.com/hendrix-couplers/>

# QUICK CHANGING COUPLERS

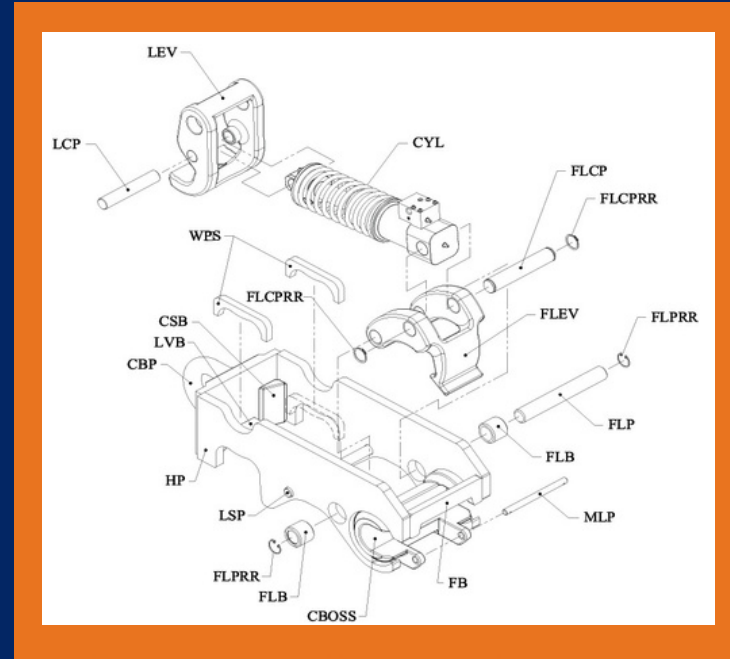
## SERIES 2 - BOTTOM SECTION

*Series 2 has one spring around the cylinder.*

[HOME](#)



SYMBOL	DESCRIPTION	QTY
LEV	BACK LEVER CASTING	1
LCP	LEVER CYLINDER PIN	1
CYL	HYDRAULIC CYLINDER W/ INTERGRATED SPRING	1
WPS	WELD-ON-PIN SUPPORT	2
FLCPRR	FRONT LEVER CYLINDER PIN RETAINING RING	2
CRB	COMER SUPPORT BRACE	2
LVB	LEVER STOP BLOCK	2
CBP	CAST BACK PLATE	2
HP	HOOK PLATE	1
LSP	LEVER STOP PIN	1
FLPRR	FRONT LEVER PIN RETAINING RING	1
FLB	FRONT LEVER BOSS	1
CBOSS	C-BOSS CASTING	1
FB	FRONT BRACE	1
MLP	MECHANICAL LOCK PIN	1
FLP	FRONT LEVER PIN	1
FLEV	FRONT LEVER CASTING	1
FLCP	FRONT LEVER CYLINDER PIN	1



**VARIABLE PIN DIAMETER AND PIN  
SPREAD ALLOWS YOU TO PICK UP A  
WIDE VARIETY OF OEM ATTCHMENTS.**

**PICK UP BUCKETS EASILY IN  
BACKHOE OR FACE SHOVEL POSTION**

**RETAINS HENDRIX STANDARD LOW  
PRESSURE SYSTEM AND INDUSTRY  
STANDARD CONTROL BOX**

*Not all items listed are available; some are for identification only.*



724-662-5210



<https://fairwindsmfg.com/hendrix-couplers/>

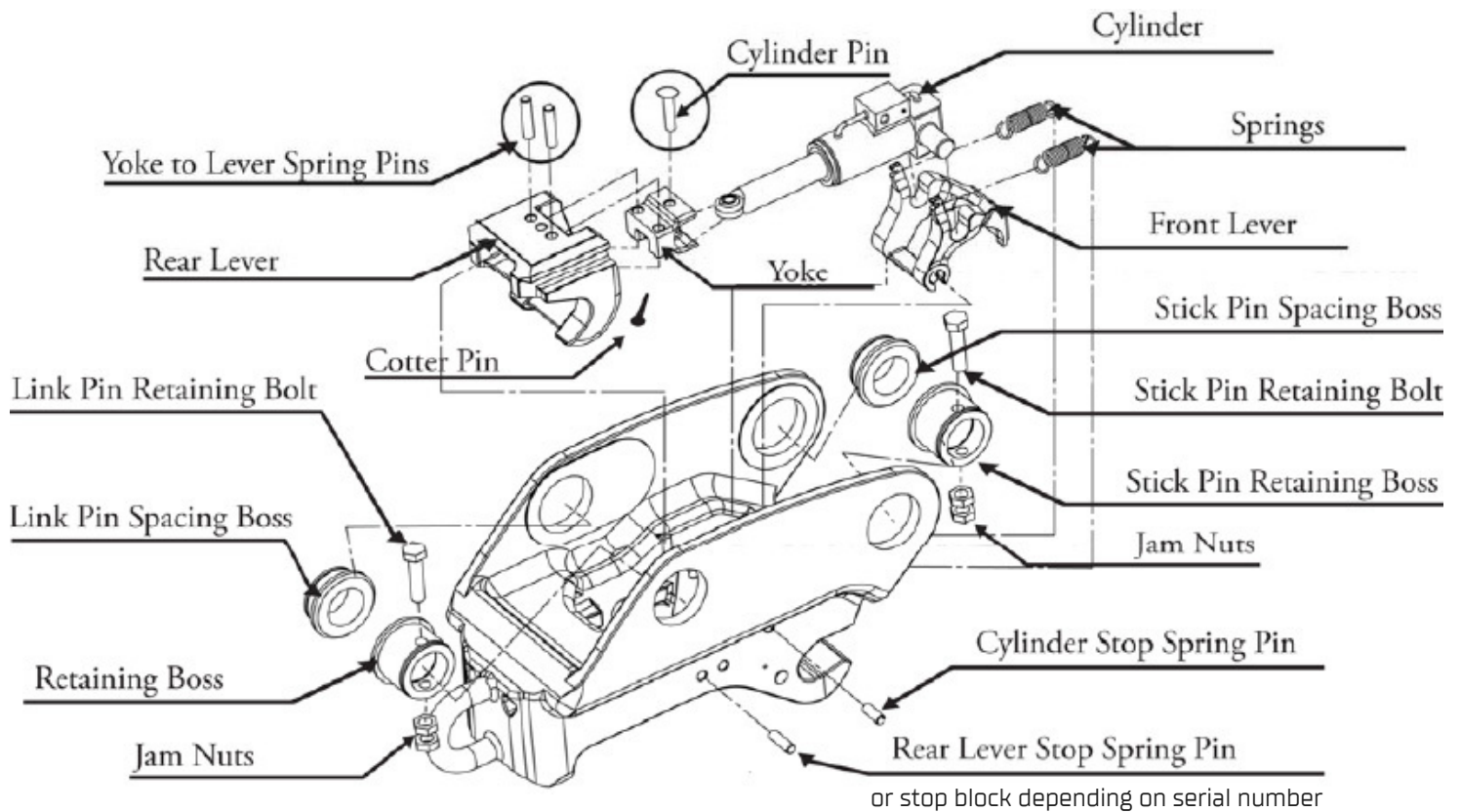
# QUICK CHANGING COUPLERS

## SERIES 3 - HDX

Cast not fabricated frame

Two pins sticking out of the bottom on the right and left of cylinder

HOME



Click on a size to go to that specific model

HDX COUPLER MODEL	PIN DIAMETER
S120 - 12 TON	60-65-70 mm
S200 - 20 TON	70-80 mm
S350 - 35 TON	80-90 mm
S450 - 45 TON	100-110 mm



724-662-5210



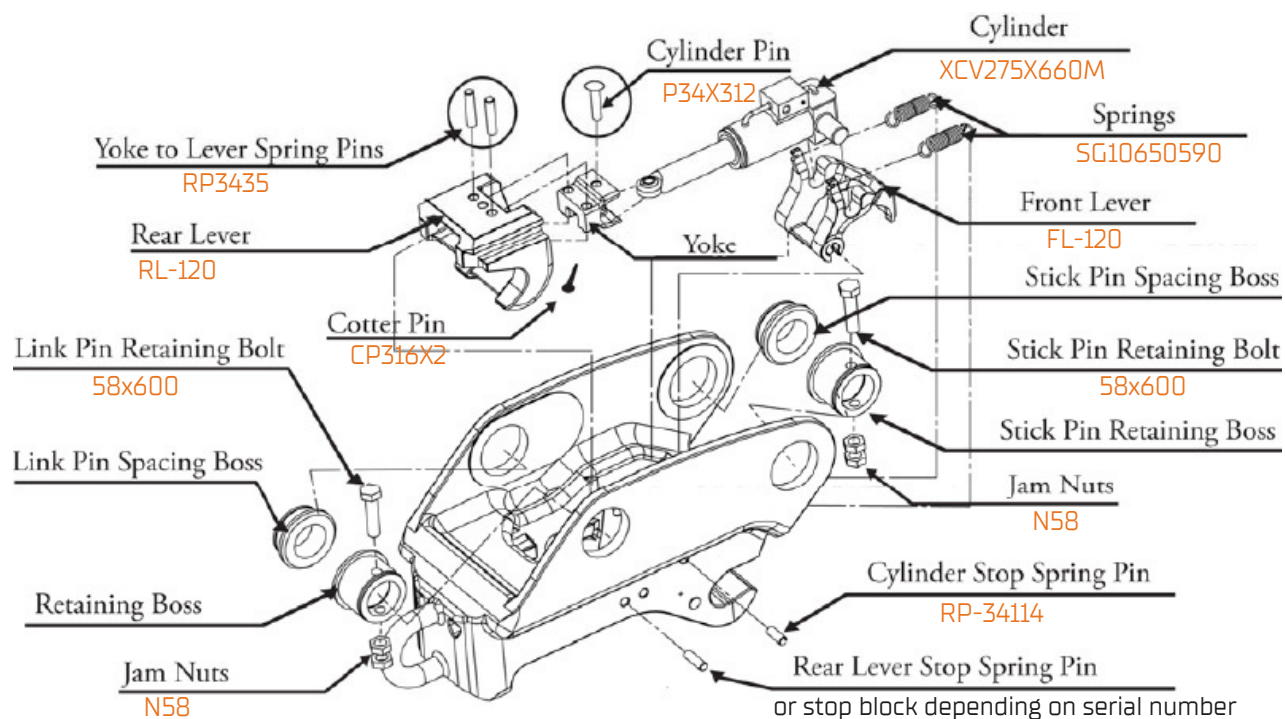
<https://fairwindsmfg.com/hendrix-couplers/>

# QUICK CHANGING COUPLERS

## SERIES 3: HDX

S120 - 12 TON MACHINE

[HOME](#)



### DESCRIPTION

### QTY

### DESCRIPTION

### QTY

CYLINDER	1
CYLINDER PIN	1
SPRINGS	2
FRONT LEVER	1
STICK PIN SPACING BOSS	1
STICK PIN RETAINING BOLT	1
STICK PIN RETAINING BOSS	1
JAM NUTS	4
CYLINDER STOP SPRING PIN	2
REAR LEVER STOP BLOCK	2
LINK PIN SPACING BOSS	1
LINK PIN RETAINING BOSS	1
LINK PIN RETAINING BOLT	1

COTTER PIN	1
YOKE	1
REAR LEVER	1
YOKE TO LEVER SPIRAL PINS	2



724-662-5210



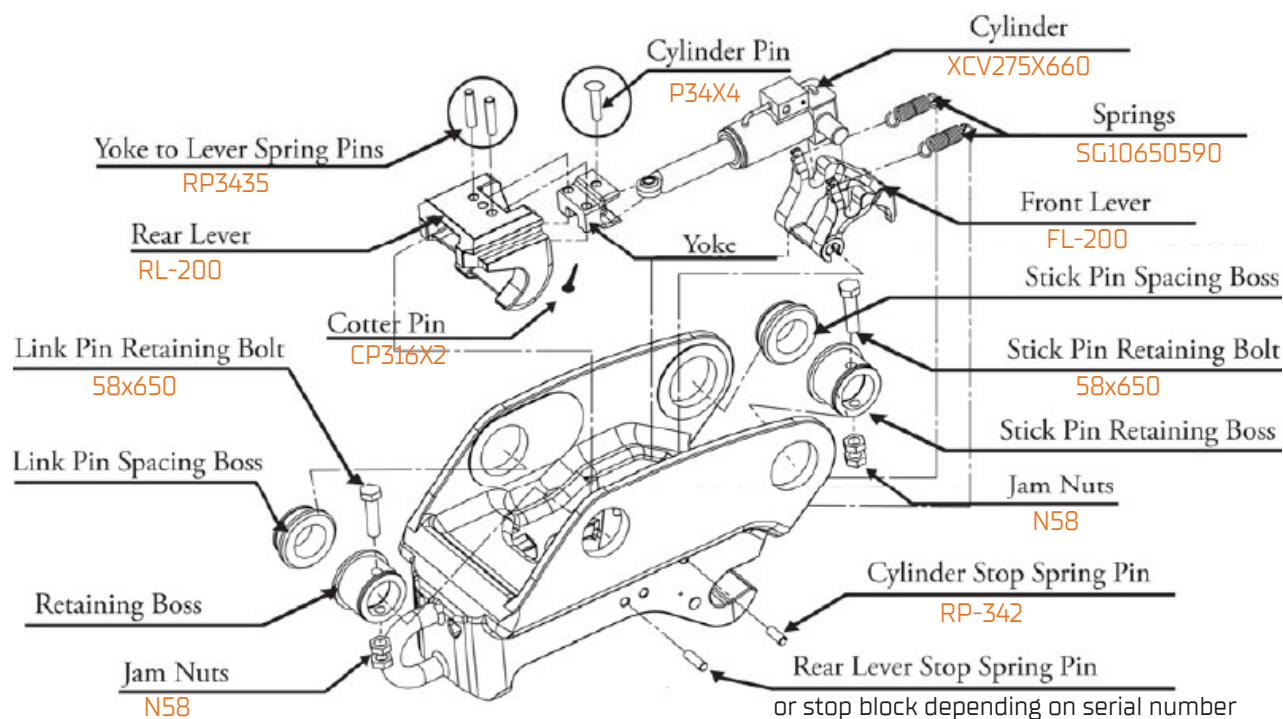
<https://fairwindsmfg.com/hendrix-couplers/>

# QUICK CHANGING COUPLERS

## SERIES 3: HDX

S200 - 20 TON MACHINE

[HOME](#)



### DESCRIPTION

### QTY

### DESCRIPTION

### QTY

CYLINDER	1
CYLINDER PIN	1
SPRINGS	2
FRONT LEVER	1
STICK PIN SPACING BOSS	1
STICK PIN RETAINING BOLT	1
STICK PIN RETAINING BOSS	1
JAM NUTS	4
CYLINDER STOP SPRING PIN	2
REAR LEVER STOP BLOCK	2
LINK PIN SPACING BOSS	1
LINK PIN RETAINING BOSS	1
LINK PIN RETAINING BOLT	1

COTTER PIN	1
YOKE	1
REAR LEVER	1
YOKE TO LEVER SPIRAL PINS	2



724-662-5210



<https://fairwindsmfg.com/hendrix-couplers/>

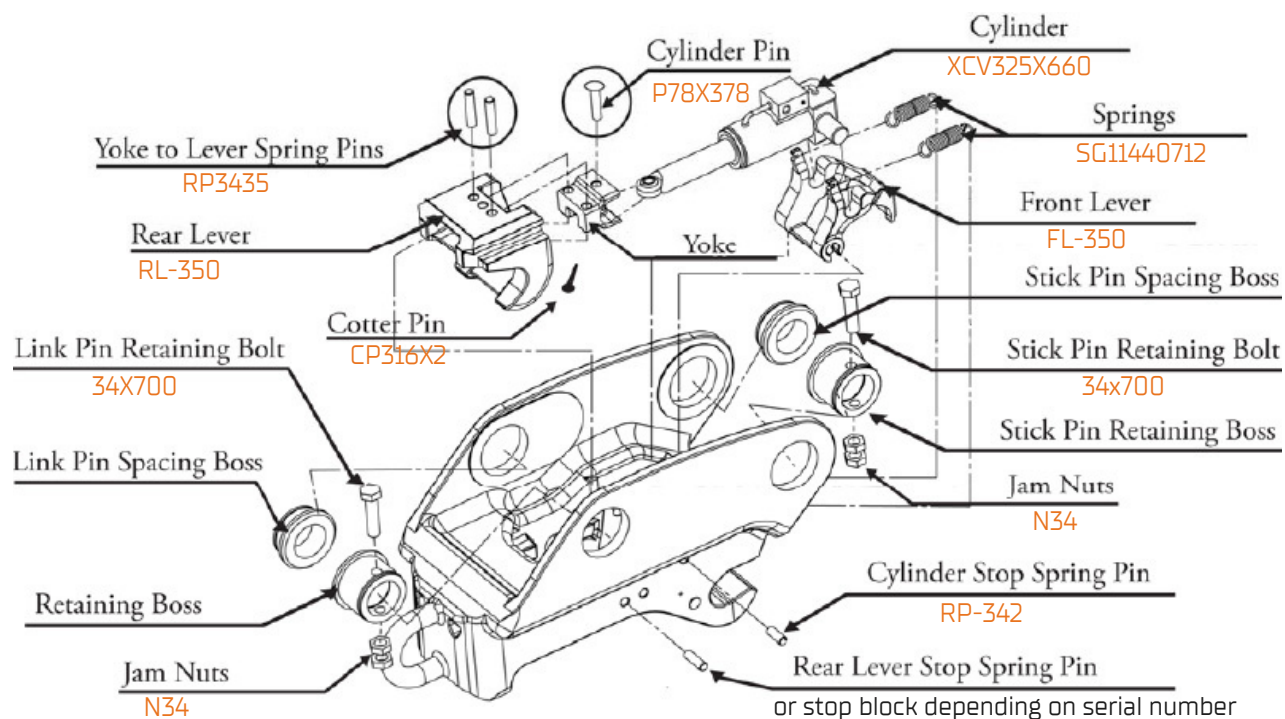


# QUICK CHANGING COUPLERS

## SERIES 3: HDX

S350 - 35 TON MACHINE

[HOME](#)



### DESCRIPTION

### QTY

### DESCRIPTION

### QTY

CYLINDER	1
CYLINDER PIN	1
SPRINGS	2
FRONT LEVER	1
STICK PIN SPACING BOSS	1
STICK PIN RETAINING BOLT	1
STICK PIN RETAINING BOSS	1
JAM NUTS	4
CYLINDER STOP SPRING PIN	2
REAR LEVER STOP BLOCK	2
LINK PIN SPACING BOSS	1
LINK PIN RETAINING BOSS	1
LINK PIN RETAINING BOLT	1

COTTER PIN	1
YOKE	1
REAR LEVER	1
YOKE TO LEVER SPIRAL PINS	2



724-662-5210



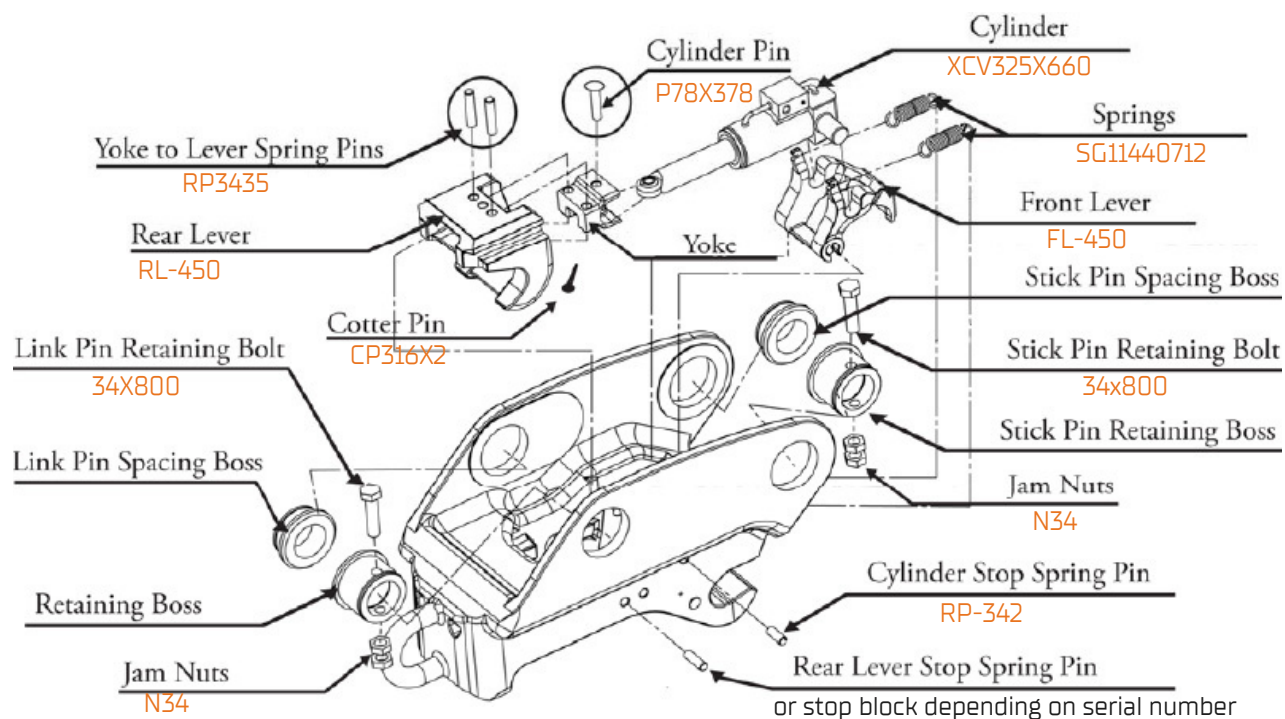
<https://fairwindsmfg.com/hendrix-couplers/>

# QUICK CHANGING COUPLERS

## SERIES 3: HDX

S450 - 45 TON MACHINE

[HOME](#)



### DESCRIPTION

### QTY

### DESCRIPTION

### QTY

CYLINDER	1
CYLINDER PIN	1
SPRINGS	2
FRONT LEVER	1
STICK PIN SPACING BOSS	1
STICK PIN RETAINING BOLT	1
STICK PIN RETAINING BOSS	1
JAM NUTS	4
CYLINDER STOP SPRING PIN	2
REAR LEVER STOP BLOCK	2
LINK PIN SPACING BOSS	1
LINK PIN RETAINING BOSS	1
LINK PIN RETAINING BOLT	1

COTTER PIN	1
YOKE	1
REAR LEVER	1
YOKE TO LEVER SPIRAL PINS	2



724-662-5210



<https://fairwindsmfg.com/hendrix-couplers/>